



# LIGHT BAR

## Module Design

### Feature

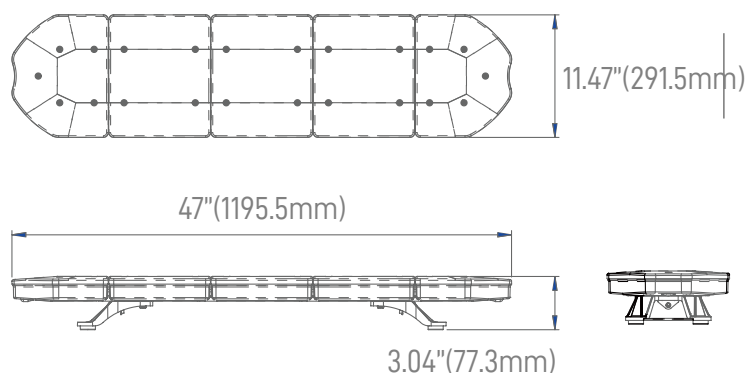
- Modular design arrangement fit respectively with 37"/47"/57"
- Easy module replacement
- High power LEDs
- Compliance: SAE J845
- Ingress Protection Rating: IP65
- Optics: Focus + Diffusion
- Housing: Polycarbonate
- Top Cover / Bottom Cover : Plastic

### Single Color



### Dimension:

11.47" (291.5mm) W x 47" (1195.5mm) L x 3.04" (77.3mm) H



### Accessories

(Optional)



Control Panel

### Specification

- Model Name: Light Bar JJE Series Full Size
- Input Voltage: 10~15VDC
- Input Current: 20A max@DC12V
- Function: Standard Warning, Take down, Alley light, Traffic Advisor
- Ambient Temperature Range: -40~70°C
- Mounting Option: Metal bracket or Plastic bracket
- Flash Pattern: 31



**TWL** TOP WARNING LIGHT TECHNOLOGY CO., LTD.