



LBJ *ALL in ONE series*



Feature

- Compliance: SAE J595, CA T13, ECE R65 I (Dual A/B/R), R65 II (Single A,B,R)
- Linear Optics
- Available in 6 High power LED version
- 2 LED puddle light with warning function
- Self-contain driver, All in one
- Ingress Protection Rating: IP67
- Color Arrangement : Single/Dual
- Grommet POP-N-LOCK
- Synchronizable up to 8 units

Single & Dual Color



Specification

Model No.: LB series

Input Voltage: 10-30VDC

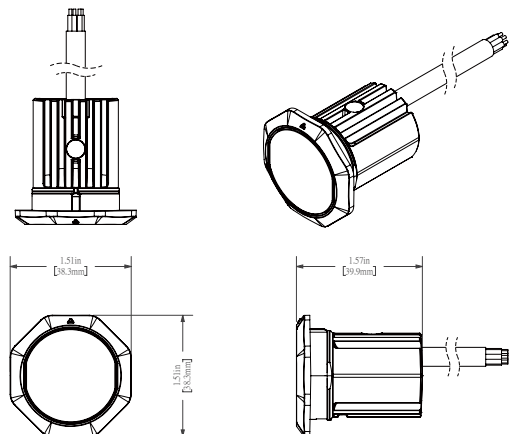
Input Current: 1.5A max@DC12.8V

Ambient Temperature Range: -30 to 70°C

Flash Pattern: 16(Single color), 24 (Dual color)

Dimension:

L1.57" x W1.51" x D1.51" (39.9 x 38.3 x 38.3 mm)



TWL TOP WARNING LIGHT TECHNOLOGY CO., LTD.