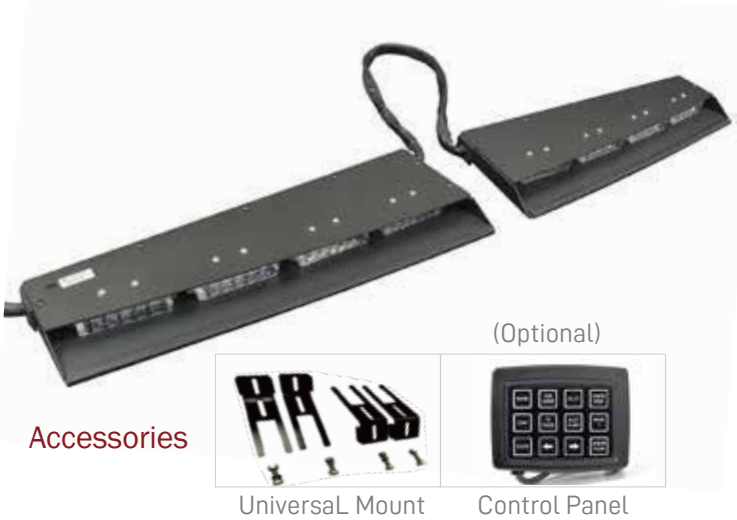




# MINI INNER BAR

JIM S1 series



## Feature

- Compliance: SAE J595, ECE R10
- Synchronize feature: N/A
- Housing: Aluminum
- Module: 8 modules
- Dual Color: 6 LED/module, Tri Color: 9 LED/module
- Optics: Linear+Diffuser Intergrated

## Dual Color



## Tri Color



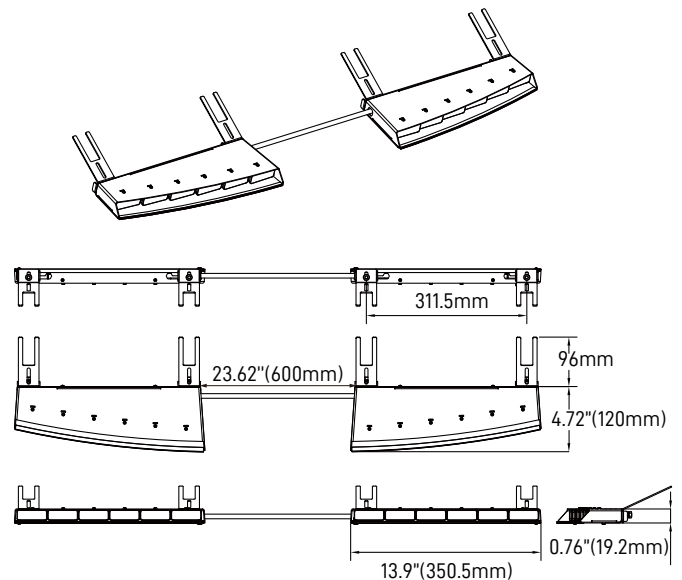
## Specification

- Model Name : JIMS1 series
- Input Voltage: 10~30V
- Input Current: 8.0A max@DC12V, 5.0A max@DC24V
- Flash Pattern : Dual 52, Tri 57
- Ambient Temperature Range: -30~50°C
- Mounting Brackets: Universal standard version
- Connecting Cable Length: 23.62 inch
- Connecting Wire: 11.5 feet
- Programming: Dim, Directional, Take down module selectable, Mode 1 / Mode 2 memory switch, Cruise mode

## Dimension:

Size :13.9"\*4.72"\*0.76"(350.5X120X19.2mm)

\*This is a single-sided size, not including a fixed bracket and wire length.



**TWL** TOP WARNING LIGHT TECHNOLOGY CO., LTD.