

Shroud

Easy mounting for all vehicles



85°C
Side Window



35°C
Windshield



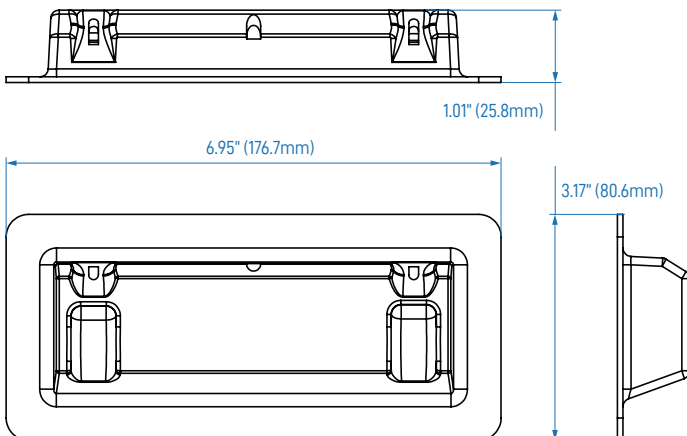
Feature

- Window shrouds for use with 1 Sniper light head. Sold separately.
- Angle adjustment allows for a variety of placement options in 10 degrees.
- Optional windshield or side window placement models.
- VHB dual-lock applied to prevent flashback
- Rear wire exits to allow for concealed wire



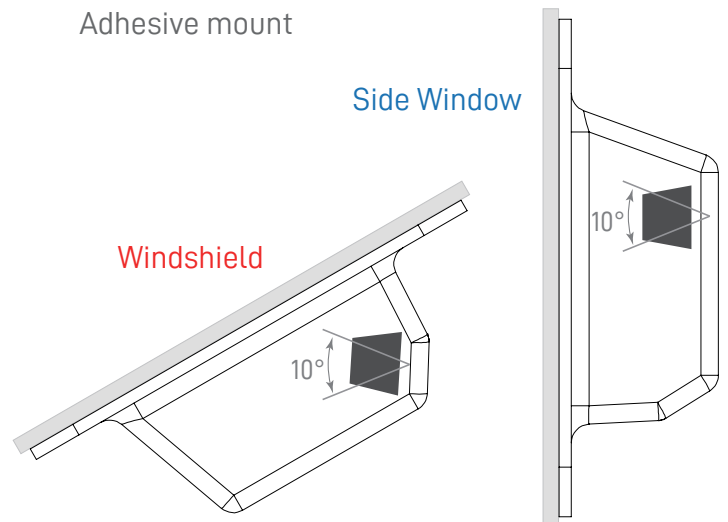
Dimension:

- 6.95" * 3.17" * 1.01" (176.7 * 80.6 * 25.8mm)



Mounting :

Adhesive mount



TWL TOP WARNING LIGHT TECHNOLOGY CO., LTD.