



# LN4 series Single

## Compact & Slim



### Feature

- Compliance: SAE J595 , CA T13 , ECE R65II ( A,B )
- TIR Optics
- Available in 6 High power LED version
- Vertical / Horizontal models
- Ingress Protection Rating: IP67 /IP69K
- Color Arrangement : Single
- Surface mount/ Bracket mount/ Stud mount
- Synchronizable up to 8 lights

Screws & Nuts



### Single Color



### Specification

Model No.: LN4 series

Input Voltage: 10~30VDC

High Power: LED\*6

Input Current: 0.7A max@DC12V, 0.4A max@DC24V

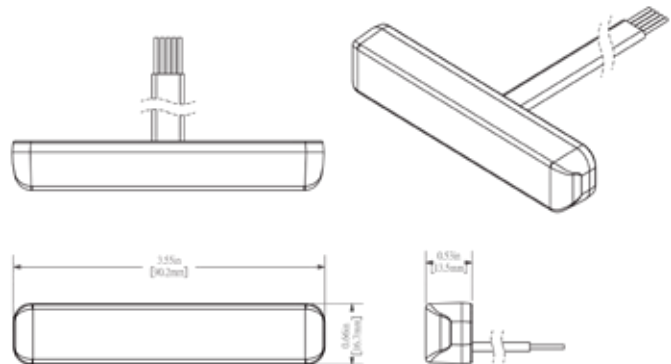
Ambient Temperature Range: -30~70°C

Function: Dim

Flash Pattern: 19

### Size

L3.55"x W0.66" x D0.52" (90.2 x 16.7 x 13.3 mm)



TOP WARNING LIGHT TECHNOLOGY CO., LTD.