



LM3 series Single



E11 A1-001101

E11 B1-001099

E11 10R-058912

Feature

- Compliance: SAE J595, ECE R10, R65 I(B, A)
- Ingress Protection Rating: IP67
- Housing: Aluminum
- Accessories: EVA Gasket*1, Screw *2
- Several optics available, F (Focus), E (Focus + Diffuser), C (Focus+T13 Diffuser), L (Linear), R (Linear+T13 Diffuser)
- Mounting Options: Surface mount / Bracket

Single Color

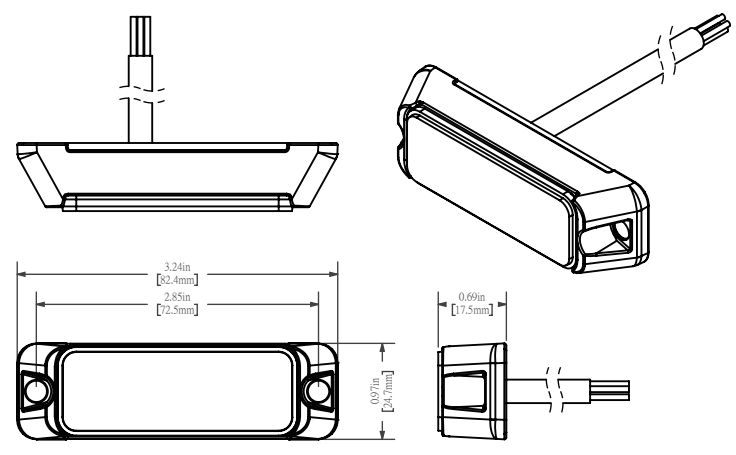


Specification

- Model Name: Mini Lighthouse LM3
- Input Voltage: 10~30V
- High power LED*3
- Synchronizable to up to 8 lamps
- Input Current: 0.6A max@DC12V, 0.35A max@DC24V
- Ambient Temperature Range: -30~50°C
- Flash Pattern: max 20 patterns

Dimension:

0.69" (17.5mm)*3.23" (82.1mm)*0.97" (24.7mm)



TOP WARNING LIGHT TECHNOLOGY CO., LTD.