



# TWL 2023 CATALOGUE

TOP WARNING LIGHTTECHNOLOGY CO., LTD.





# LN series QUAD

## Super Narrow Light Head

### Feature

- Compliance: SAE J595, CA T13, ECE R10
- Ingress Protection Rating: IP67/69
- Accessories: 1 Foam, Screws & Brackets
- Mounting Option: Surface mount / Stud mount / Bracket mount

### Quad Color



(optional)

### Accessories



shroud



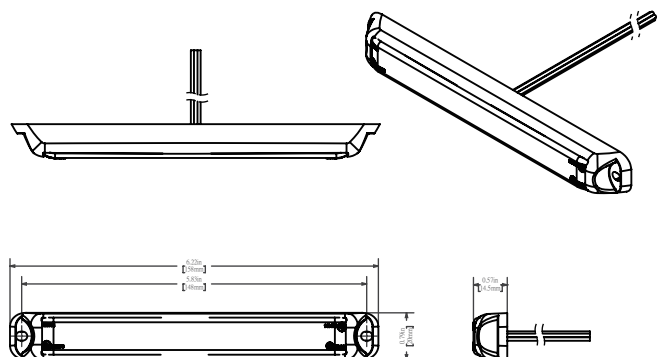
Screws & Nuts

### Specification

- Model No.: Mini Lighthouse LN6 Quad
- Input Voltage: 10~30VDC
- Led: High Power LED\*16
- Input Current: 0.8A max
- Ambient Temperature Range: -40~70°C
- Flash Pattern: 22

### Size

L5.35\*W0.62\*D0.63inch (136\*15.8\*16mm)





# LN series Single & Dual

## Super Narrow Light Head



### Feature

Compliance:

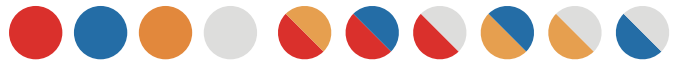
SAE J595, CA T13, ECE R10, R65II (Single A,B) , R65I (Dual A/B)

Ingress Protection Rating: IP67/69K

Accessories: 1 Foam, Screws & Brackets

Mounting Option: Surface Mount / Stud Mount/ Bracket mount

### Single & Dual Color



shroud(optional)

### Accessories



Brackets



Screws & Nuts



### Specification

Model No.: Mini Lighthouse LN6 Single & Dual

Input Voltage: 10~30VDC

Single: High Power LED\*6

Dual: High Power LED\*12

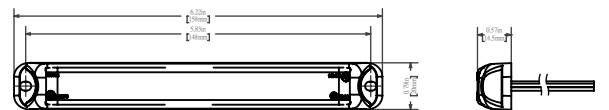
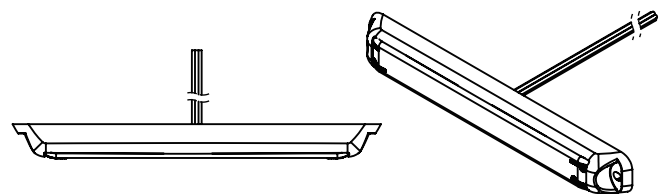
Input Current: 1.5A max @ DC12V, 1A max @ DC24V

Ambient Temperature Range: -40~70°C

Flash Pattern: Single Color 33, Dual Color 69

### Size

L 5.35\*W 0.62\*D 0.63inch (136\*15.8\*16mm)



TOP WARNING LIGHT TECHNOLOGY CO., LTD.



# LBJ8 *ALL in ONE series*



## Feature

- Compliance: SAE J595, CA T13, ECE R65 I ( Dual A/B/R ), R65 II ( Single A,B,R )
- Linear Optics
- Available in 6 High power LEDs , 2 illuminate LEDs
- 2 LED puddle light with warning function
- Self-contain driver, All in one
- Ingress Protection Rating: IP67
- Color Arrangement : Single/Dual
- Grommet POP-N-LOCK
- Synchronizable up to 8 units

## Single & Dual Color



## Specification

Model No.: LB series

Input Voltage: 10-30VDC

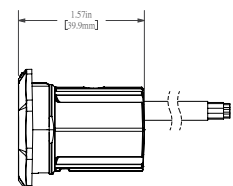
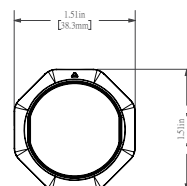
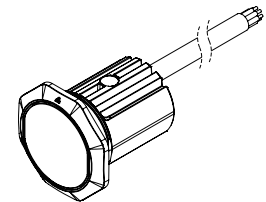
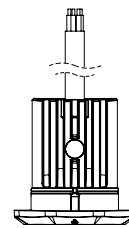
Input Current: 1.5A max@DC12.8V

Ambient Temperature Range: -30 to 70°C

Flash Pattern: 16(Single color), 24 (Dual color)

## Dimension:

L1.57" x W1.51" x D1.51" ( 39.9 x 38.3 x 38.3 mm )



**TWL** TOP WARNING LIGHT TECHNOLOGY CO., LTD.

# ALL IN ONE

ALL in ONE series

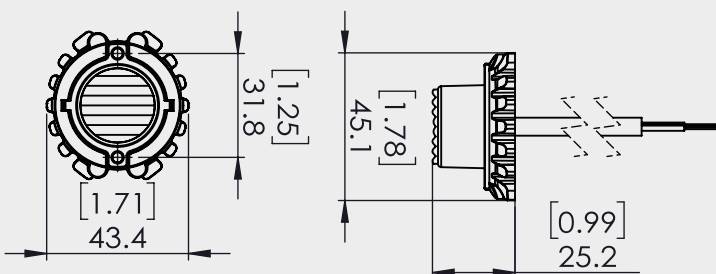


## Feature

- Available in 4/ 6 / 8 / 9 / 12 High power LED version
- Self-contained driver, All in one
- Available Optics options to choose from
- Ingress Protection Rating: IP67
- Color Arrangement : Single/Dual/Split
- Aluminium Housing for better heat dissipation
- Synchronizable up to 8 units
- Come with EVA Gasket\*1, Screws \*2
- Optional Accessories:  
Oval or Square L Bracket, C Bracket/ Black or Painted Chrome Bezel/ Grommet

## Dimension

- Dimension: 0.99"H\*1.78"W (25.1x45.1mm)



## Specification

- Model No.: LB series
- Input Voltage: 10-30VDC
- Input Current: 0.8A~1.5A max@DC12V, 0.4A~0.75A max@DC24V
- Ambient Temperature Range: -30 to 50°C
- Flash Pattern: 21 (Single color), 37 (Dual color)

## Single & Dual/Split Color

- Color : R, B, A, C, G, M, R/C, B/C, A/C, R/B, R/A, A/B



## Accessories



# Hide **Away** series



LHP  
R10



LHR



LHD  
R65 R10



LHE  
R65 R10



LHF



LHU



LHQ



LHN



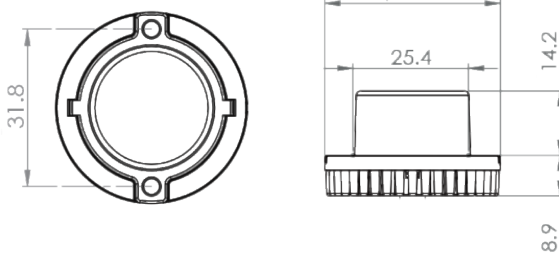
LHG

## Feature

- Available in 4/ 6 / 8 / 9 / 12 High power LED version (varify from different model)
- Available Optics options to choose from
- SAE 595, R10(LHP/LHD/LHE), R65(LHD-41/42, LHE-41/42)
- Ingress Protection Rating: IP67
- Color Arrangement: Single/Dual/Split
- Aluminium Housing for better heat dissipation
- Synchronizable up to 8 units
- Come with EVA Gasket\*1, Screws \*2
- Optional Accessories:  
Oval or Square L Bracket, C Bracket/ Black or

## Dimension

0.91"H\*1.52"W (25x38.6mm)



## Specification

- Model No.: LH series
- Input Voltage: 10-30VDC
- Input Current: 1.5A max
- Ambient Temperature Range: -30 to 50°C
- Flash Pattern: 21 (Single color), 77 (Dual color)

## Single & Dual/Split Color

- Color : R, B, A, C, G, M, R/C, B/C, A/C, R/B, R/A, A/B



## Accessories





# LM3 series Single



E11 A1-001101   
 E11 B1-001099   
 E11 10R-058912

## Feature

- Compliance: SAE J595, ECE R10, R65 I(B, A)
- Ingress Protection Rating: IP67
- Housing: Aluminum
- Accessories: EVA Gasket\*1, Screw \*2
- Several optics available, F (Focus), E (Focus + Diffuser), C (Focus+T13 Diffuser), L (Linear), R (Linear+T13 Diffuser)
- Mounting Options: Surface mount / Bracket

## Single Color



## Specification

Model Name: Mini Lighthouse LM3

Input Voltage: 10~30V

High power LED\*3

Synchronizable to up to 8 lamps

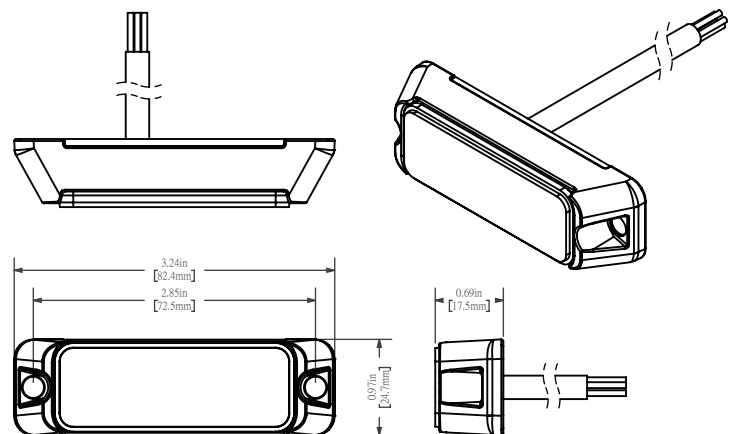
Input Current: 0.6A max@DC12V, 0.35A max@DC24V

Ambient Temperature Range: -30~50°C

Flash Pattern: max 20 patterns

## Dimension:

0.69" (17.5mm)\*3.23" (82.1mm)\*0.97" (24.7mm)



TOP WARNING LIGHT TECHNOLOGY CO., LTD.



# LM4 series



(E11) XA2-001101 (E11) XB2-001099

## Feature

- Compliance: SAE J595, ECE R10, R65 (XA2, XB2)
- Ingress Protection Rating: IP67
- Housing: Aluminum, PC
- Optional Accessories: EVA Gasket\*1, Screw \*2
- Several optics available, F (Focus) , E (Focus + Diffuser) , C (Focus+T13 Diffuser) , L (Linear) , R (Linear+T13 Diffuser)
- Mounting Options: Surface mount / Bracket mount

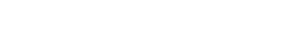
## Single Color



## Dual/Split Color



## Quad Color



## Accessories



License Bracket

## Specification

Model Name: Mini Lighthouse LM4 Dual

Input Voltage: 10~30VDC

High power LED\*4

Synchronizable to up to 8 lamps

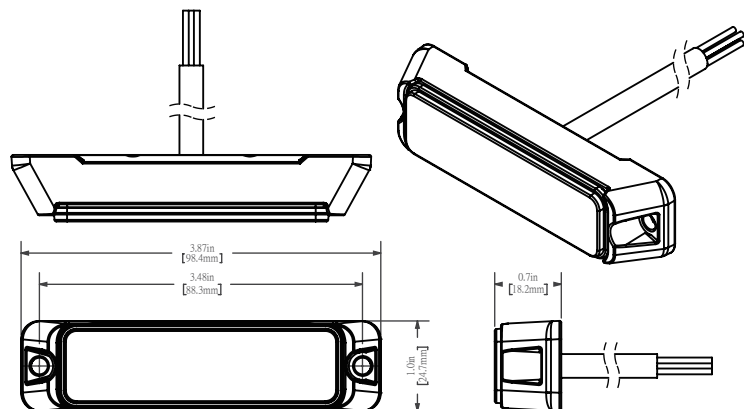
Input Current: 1.0A max@DC12V, 0.6A max@DC24V

Ambient Temperature Range: -30~50°C

Flash Pattern: 30

## Dimension:

0.69" (17.5mm)\*3.87" (98.2mm)\*0.97" (24.7mm)



**TWL** TOP WARNING LIGHT TECHNOLOGY CO., LTD.





# LM6 series Quad



## Feature

- Compliance: SAE J595, CA T13, ECE R10, R65 I (XB1 , XA1)
- Ingress Protection Rating: IP67 / IP69
- Aluminium housing and PC Lens cover
- Standard accessories: 1 Foam, 2 Screws
- Mounting Options: Surface mount / Bracket mount (optional)

## Quad Color



## Specification

Model Name: Mini Lighthouse LM6 Quad

Input Voltage: 10~30V

Synchronizable up to 8 units

Led High power LED\*24

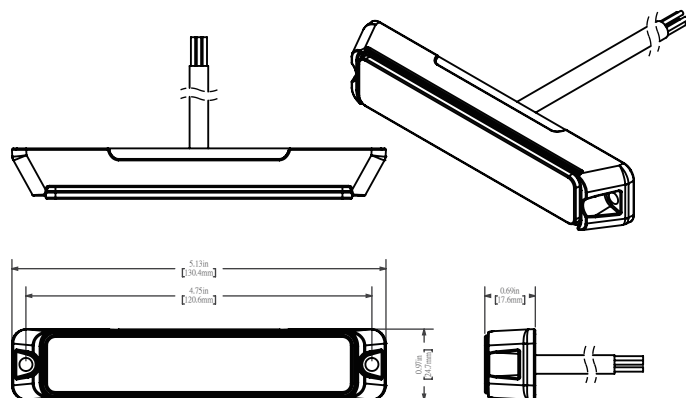
Input Current: 1.3A max@DC12V, 1.0A max@DC24V

Ambient Temperature Range: -30~50°C

Flash Pattern: max 18 patterns varies from color modes, total 7 groups, 15 color modes

## Dimension:

0.69" (17.5mm) W x 5.13"  
(130.4mm) L x 0.97" (24.7mm) H

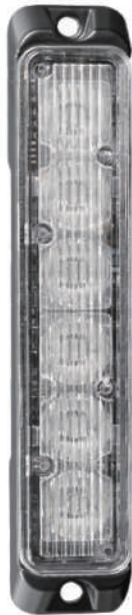


**TWL** TOP WARNING LIGHT TECHNOLOGY CO., LTD.



# LM6 Vertical

## Mini Lighthouse



### Feature

- Vertical optics
- Compliance: SAE J595, ECE R10, R65 (XA2, XB2)
- Ingress Protection Rating: IP67 / IP69K
- Housing: Aluminium
- Accessories: 1 Foam, Screws
- Mounting Options: Universal Bracket
- Lens Cover: PC

### Single Color



**E6** R65II  
65R-000257

**E6** R65II  
65R-000258

**E6** R10  
10R-040525

### Specification

Model Name: Mini Lighthouse LM6 Vertical

Input Voltage: 10~30V

Synchronizable up to 8 units

High power LED\*6

Function: Standard / Stop / DIM

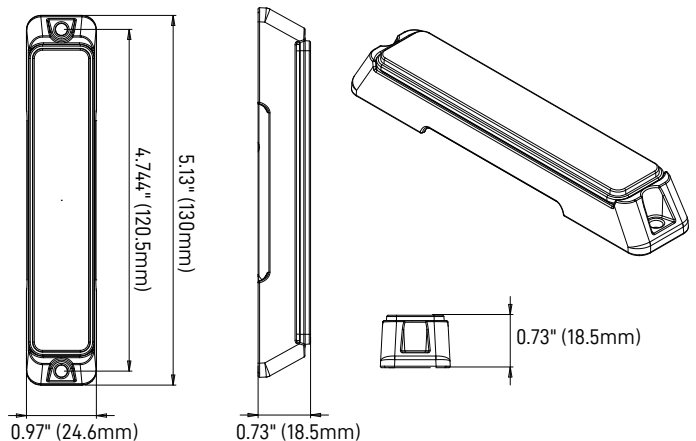
Input Current: 2.0A max@DC12V, 1.2A max@DC24V

Ambient Temperature Range: -30~50°C

Flash Pattern: 13

### Dimension:

0.73" (18.5mm)\* 5.13" (130mm)\* 0.97" (24.7mm)



**TWL** TOP WARNING LIGHT TECHNOLOGY CO., LTD.



# LR Series Dual

## Special lamps Lighthouse



### Feature

- Compliance : SAE J595, CA T13, ECE R10
- Ingress Protection Rating : IP67/IP69
- Optical : Focus
- Housing : PC
- Mounting Options : Surface mount with bezel by screw/Surface mount with adhesive

### Single & Dual Color

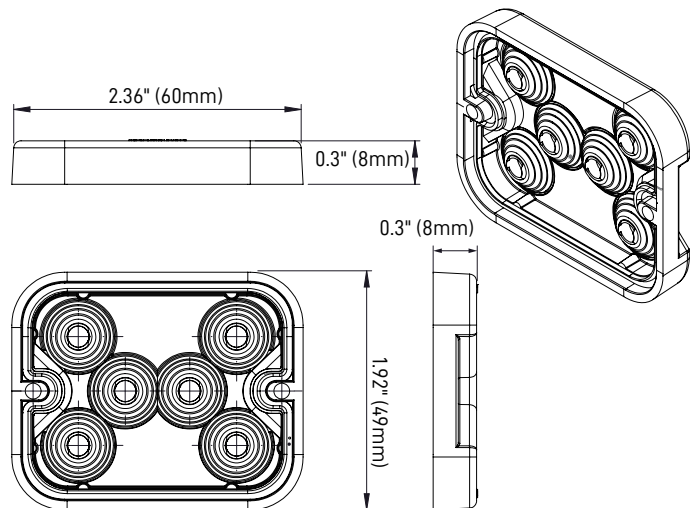


### Specification

- Model Name : LR Series Warning Light Head
- Input Voltage : 10~30V
- High power LED\*6
- Input Current : 1.2A max @ DC 12V / 1.0A max @ DC 24V
- Ambient Temperature Range : -30~70°C
- Size : 2.36" (60mm)\*1.92" (49mm)\*0.3" (8mm)
- Flash Pattern : Standard flash pattern
- Standard Accessories : Screws and bracket

### Dimension:

Size : 2.36" (60mm)\*1.92" (49mm)\*0.3" (8mm)





# LL2 Series Single

## Standard Lighthouse



### Feature

- Compliance: SAE J595, ECE R10
- Ingress Protection Rating: IP67
- High power LED \*6 or 12
- Come with EVA Gasket \*1, Screws \*2
- Several optics available, F (TIR), E (TIR+Diffuser), C (TIR+Ca T13 Diffuser) L (Linear), S (Linear+Diffuser), R (Linear+Ca T13 Diffuser)
- Optional Accessories : High/ Low Bezels, Flanges, Brackets

### Single Color



### Specification

Model Name : Standard Lighthouse LL2

Input Voltage: 10~30V

Synchronizable up to 8 lamps

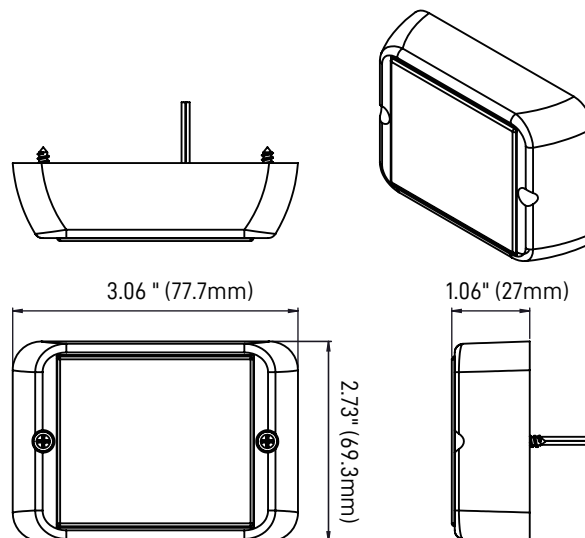
Flash Pattern : 25

Function : Standard / Stop

Ambient Temperature Range: -30~50°C

### Dimension:

2.73" (69.3mm)\*3.06" (77.7mm)\*1.06" (27mm)



**TWL** TOP WARNING LIGHT TECHNOLOGY CO., LTD.



# LL3 Series Single

## Standard Lighthouse



### Feature

- Compliance: SAE J595, ECE R10
- Ingress Protection Rating: IP67
- High power LED \*3 or 6
- Come with EVA Gasket \*1, Screws \*2
- Several optics available, F (TIR), E (TIR+Diffuser), C (TIR+Ca T13 Diffuser), L (Linear), S (Linear+Diffuser), R (Linear+Ca T13 Diffuser)
- Optional Accessories : High/ Low Bezels, Flanges, Brackets

### Single Color & Dual Color



### Specification

Model Name: Standard Lighthouse LL3 Single/Dual

Input Voltage: 10~30V

Synchronizable up to 8 lamps

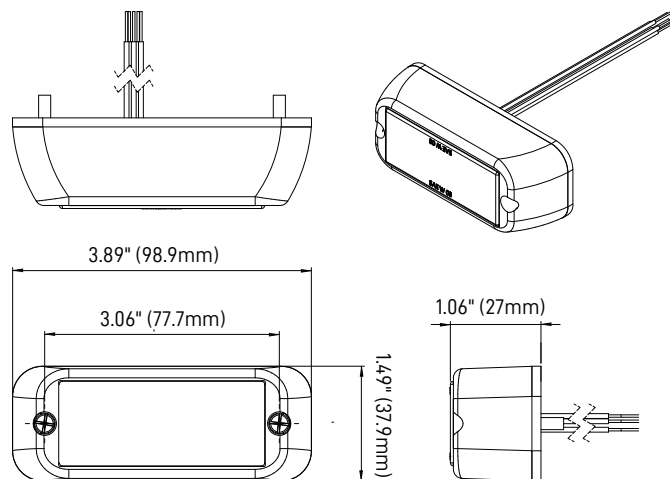
Flash Pattern : Single 15, Dual 37

Function : Standard / Stop

Ambient Temperature Range: -30~50°C

### Dimension:

1.06" (27mm)\*3.89" (98.9mm) \*1.49" (37.9mm)





# LL4 Series Dual

## Standard Lighthouse



### Feature

- Compliance: SAE J595, ECE R10
- Ingress Protection Rating: IP67
- High power LED \*4. 6, 8, 12
- Come with EVA Gasket \*1, Screws \*2
- Several optics available  
F (Focus), E (Focus+Diffuser), C (Focus+T13 Diffuser)  
L (Linear), R (Linear+T13 Diffuser)
- Optional Accessories :  
High/ Low Bezels, Flanges, Brackets

### Single & Split/Dual Color



### Specification

Model Name: Standard Lighthouse LL4 Dual

Input Voltage: 10~30V

Synchronizable up to 8 lamps

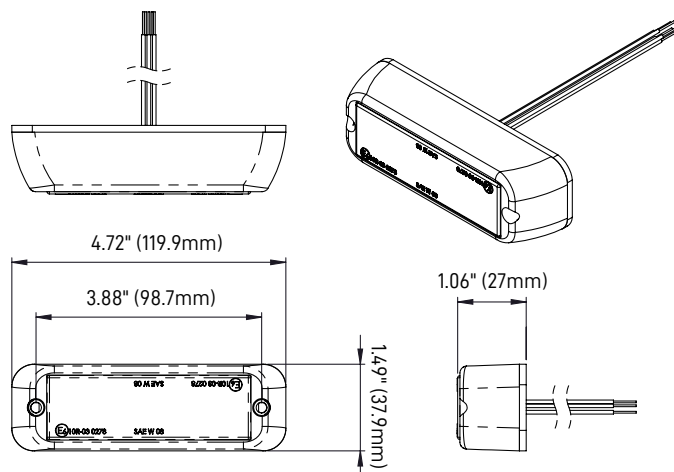
Flash Pattern: Single 25, Dual 37

Function : Standard / Stop

Ambient Temperature Range: -30~50°C

### Dimension:

1.06" (27mm)\*4.72" (119.9mm)\*1.49" (37.9mm)





# LL5 Series Dual

## Standard Lighthouse



### Feature

- Compliance: SAE J595, ECE R10, R65(B1)
- Ingress Protection Rating: IP67
- High power LED \*8
- Come with EVA Gasket\*1, Screws \*2
- Several optics available  
F (TIR), E (TIR+Diffuser)  
L (Linear), R (Linear+Ca T13 Diffuser)
- Optional Accessories :  
High/ Low Bezels, Flanges, Brackets

### Single & Split/Dual Color



### Specification

Model Name: Standard Lighthouse LL5

Input Voltage: 10~30V

Synchronizable up to 8 lamps

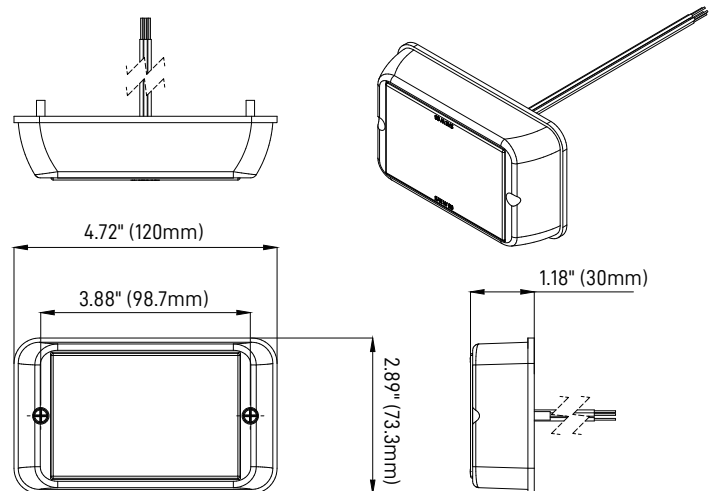
Flash Pattern : Dual 37

Function : Standard / Stop

Ambient Temperature Range: -30~50°C

### Dimension:

Size : 4.72" (119.9mm)\*2.89" (73.3mm)\*1.18" (30mm)



**TWL** TOP WARNING LIGHT TECHNOLOGY CO., LTD.



# LL6 Series Dual

## Standard Lighthouse



### Features

- Compliance: SAE J595, ECE R10, R65 (XB1)
- Ingress Protection Rating: IP67
- High power LED \*6 or 12 or 18
- Come with EVA Gasket \*1, Screws \*2
- Several optics available,  
F (TIR), E (TIR+Diffuser), C (TIR+Ca T13 Diffuser)  
L (Linear), S (Linear+Diffuser), R (Linear+Ca T13 Diffuser)
- Optional Accessories :  
High/ Low Bezels, Flanges, Brackets

### Single & Dual Color



### Specification

Model Name: Lighthouse Series LL6

Input Voltage: 10~30V

Synchronizable up to 8 lamps

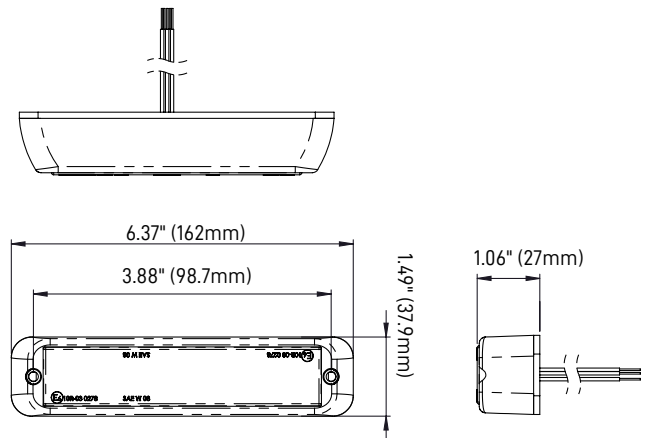
Flash Pattern : Single 25, Dual 37

Function : Standard / Stop

Ambient Temperature Range: -30~50°C

### Dimension:

- Size : 1.06" (27mm)\*6.37" (161.9mm)\*1.49" (37.9mm)



**TWL** TOP WARNING LIGHT TECHNOLOGY CO., LTD.



# BEACON



## Feature

- Compliance: SAE J845, ECE R65 (TA2, TB2)
- Ingress Protection Rating: IP67 / IP69K
- EMC Protection: ECE R10, CISPR 25 Level 3
- Accessories: EVA Gasket \*1, Screw \*3
- Optional Accessories :  
Magnet : Ø81mm + Grommet  
Cig Plug

## Single & Dual Color



## Accessories

Cig Plug



Magnet

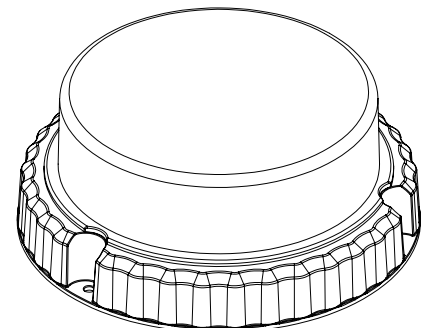
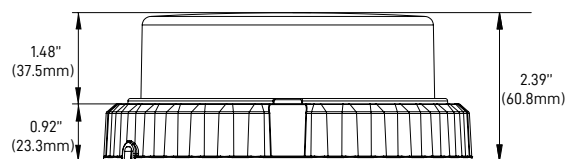
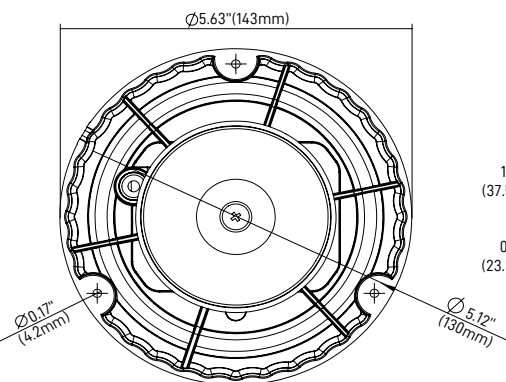


## Specification

- Model No: BED
- Input Voltage: 10-30VDC
- Input Current: 3.0A max @ 12.8VDC
- Ambient Temperature Range: -30 to 70 °C
- Flash Pattern: 20
- LED: High Power LED 24

## Dimension

- Ø5.63"(143mm)\*H 2.39"(60.8mm)



# BEACON



## Beacon Series 4" BSD



### Feature

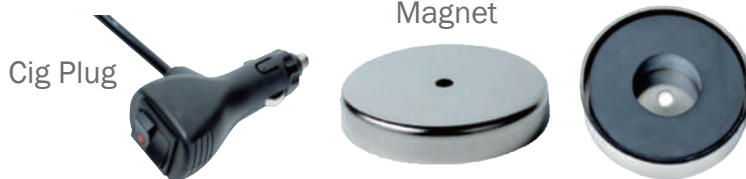
- Compliance : SAE J845
- Ingress Protection Rating : IP65
- LED : High Power LED 4 / 12
- Housing : Plastic
- Optional Accessories :  
Permanent  
Magnet mounting  
Cig plug

### Specification

- Model No : BSD
- Voltage : 10-30VDC
- Current : 2.0 Amps max @12.8VDC
- Function : Standard
- Flash Pattern : 30
- Synchronize : Maximum of 8 Beacons



### Optional Accessories



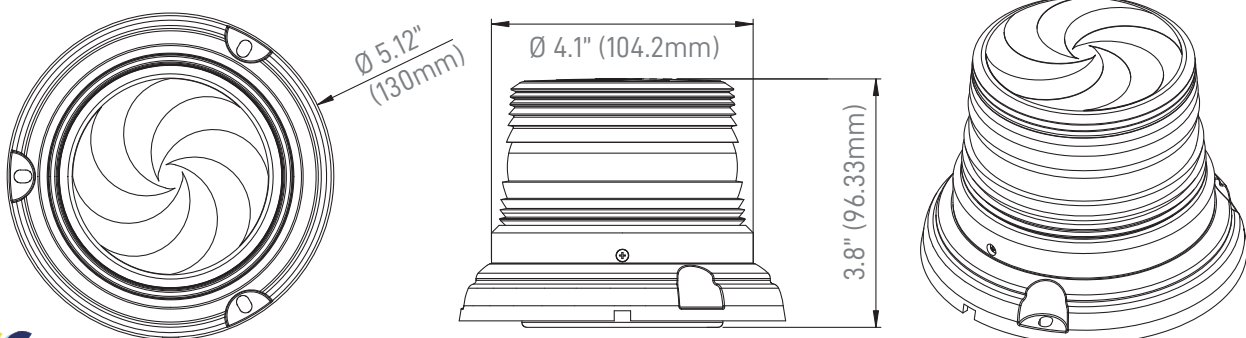
### Color Availability

- LED Color : R / B / A / C / G / M



### Dimension

- 4.1"(104.2mm)D x 3.8"(96.33mm)H



# BEACON



## Beacon Series 5" BMD



### Feature

- Compliance : SAE J845
- Ingress Protection Rating : IP65
- LED : High Power LED 12 / 16
- Housing : Plastic
- Optional Accessories :
  - Permanent
  - Magnet mounting
  - Cig plug

### Specification

- Model No : BMD
- Voltage : 10~30VDC
- Current : 2.0A max @12.8VDC
- Function : Standard
- Flash Pattern : 30
- Synchronize : Maximum of 8 Beacons



### Optional Accessories



Magnet



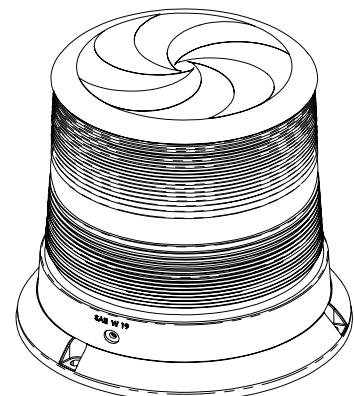
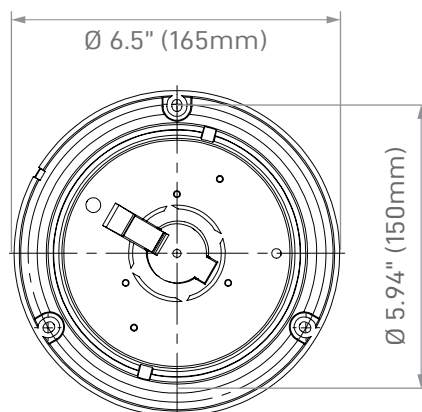
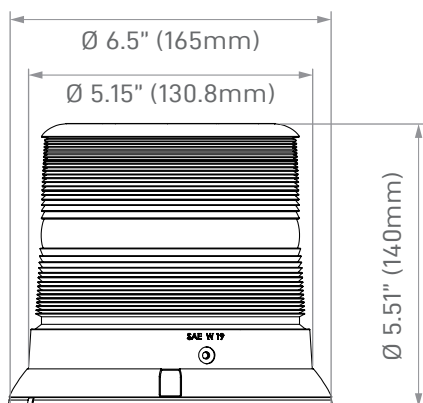
### Color Availability

- LED Color : R / B / A / C / G / M



### Dimension

- Ø 6.5" (165mm) x H 5.51" (140.0mm)



# BEACON



## Beacon Series 7" BLD



### Feature

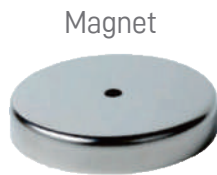
- Compliance : SAE J845
- Ingress Protection Rating : IP65
- LED : High Power LED 12 / 16
- Housing : Plastic
- Optional Accessories :
  - Permanent
  - Magnet mounting
  - Cig plug

### Specification

- Model No : BLD
- Voltage : 10~30VDC
- Current : 2.0 A max @12.8VDC
- Synchronize : Maximum of 8 Beacons
- Function : Standard
- Flash Pattern : 30



### Optional Accessories



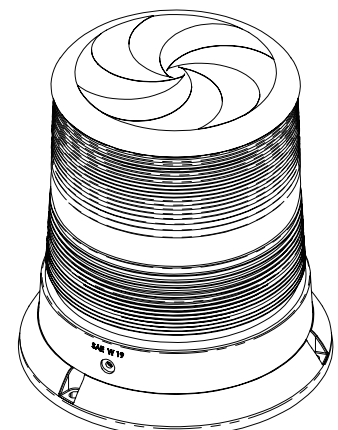
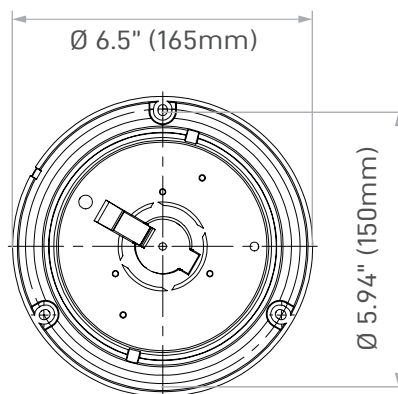
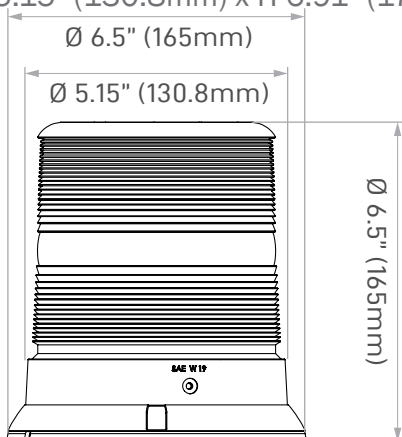
### Color Availability

- LED Color : R / B / A / C / G / M

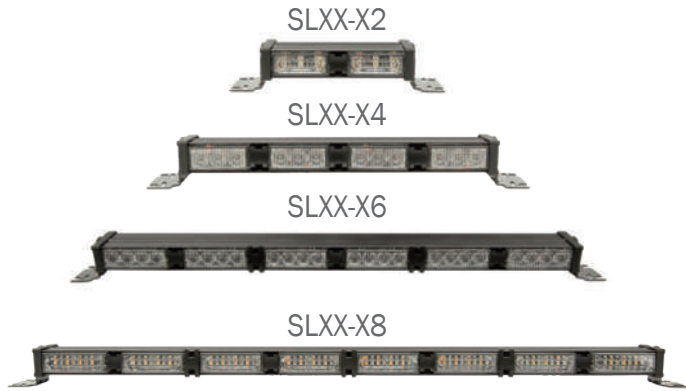


### Dimension

- $\varnothing$  5.15" (130.8mm) x H 6.91" (175.6mm)



# LIGHTSTICK



L bracket



Switch Panel



Control Box



## Feature

- Compliance: SAE J595, CA T13
- Ingress Protection Rating: IP67
- High Power: LED\*3, 4, 6, 8 / Per Module
- Housing: Aluminum
- Accessories: L bracket (Low or Standard profile), Screw \*4, Switch Panel\*1 or Control Box\*1
- Several optics available:  
F (TIR), E (TIR+Diffuser), C ( TIR+Diffuser+T13),  
L (Linear), S (Linear+Diffuser ), R (Linear+Diffuser+Ca T13)
- Function: Standard / Stop / Take down/ DIM / Fast

## Single & Split/Dual Color

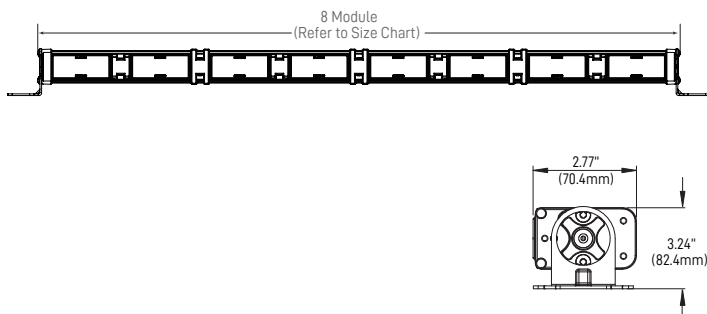


## Specification

Model Name: SL3X/ SL4X series	3or6 LED		4 LED
Input Voltage: 10~30V	2Module	1.0/2.0A max @DC12V	1.6Amps max @DC12V
Synchronizable up to 8 lights	4Module	1.6/3.2A max @DC12V	3.2Amps max @DC12V
Flash Pattern : 25 (2 modules), 31 (4/6/8 modules)	6Module	2.4/4.8A max @DC12V	4.8Amps max @DC12V
Ambient Temperature Range: -30 to 50°C	8Module	3.2/6.4A max @DC12V	6.4Amps max @DC12V
Module: 2, 4, 6, 8			

## Input Current

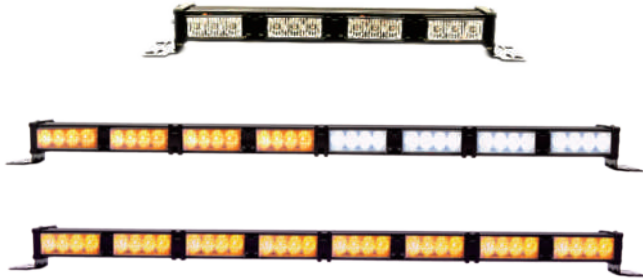
## Dimension



	3or6 LED	4 LED
2Module	7.05" (179mm)	4.57" (116mm)
4Module	14.45" (367mm)	9.14" (232.1mm)
6Module	21.77" (553mm)	18.11" (460mm )
8Module	29.09" (739mm)	26.98" (685.2mm )



# TRAFFIC WARNING



L bracket

Control Box

Control Panel



## Feature

- Compliance: SAE J595, CA T13
- Ingress Protection Rating: IP67
- High Power: LED\*3, 4, 6, 8 / Per Module
- Housing: Aluminum
- Accessories: L bracket (Low or Standard profile), Screw \*4, Switch Panel\*1 or Control Box\*1
- Several optics available:  
F (TIR), E (TIR+Diffuser), C ( TIR+Diffuser+T13),  
L (Linear), S (Linear+Diffuser ), R (Linear+Diffuser+Ca T13)
- Function: Standard / Stop / Take down/ DIM / Fast

## Single & Split/Dual Color



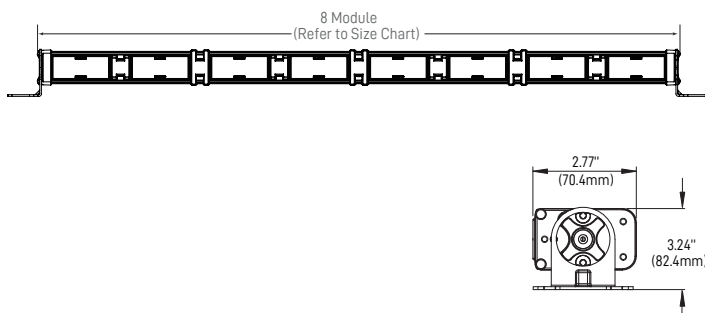
## Specification

Model Name: TW3/ TW4 series
Input Voltage: 10~30V
Synchronizable up to 8 lights
Flash Pattern : 8 (Directional), 31 (Warning)
Ambient Temperature Range: -40 to 90°C
Module: 2, 4, 6, 8

## Input Current

	6 LED	8 LED
6Module	4 Amax @12V	8 Amax @12V
8Module	5.4 Amax @12V	12.8 Amax @12V

## Dimension



	TW3-6 LED	TW4-6or8 LED
6Module		26.7" (678.2mm)
8Module	29" (736.6mm)	35.7" (906.8mm)



# TRAFFIC ARROW

New product coming soon



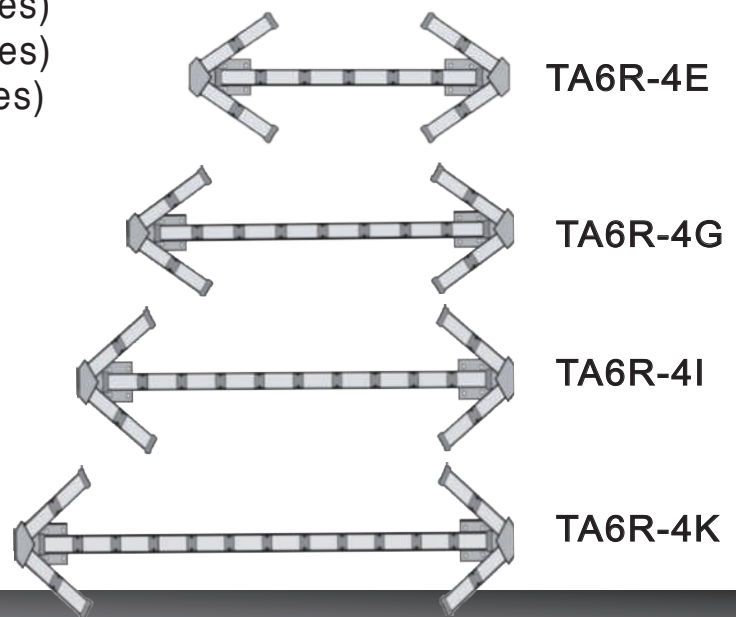
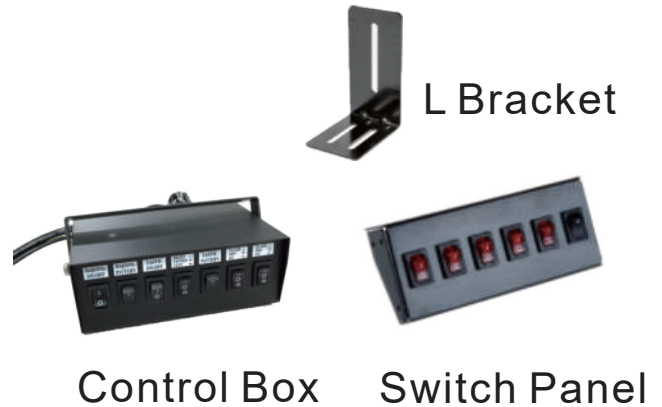
## SPECIFICATION

- ★ Model Number: TA/TB series
- ★ Input Voltage: 10-30VDC
- ★ Led: 6 or 8 High Power LED/ per module
- ★ Input Current: 11.2 Amax @DC12V,  
12.8 Amax @DC12V,  
14.4 Amax @DC12V,  
16 Amax @DC12V
- ★ Ambient Temperature Range: -40 to 90°C
- ★ Flash Pattern: 8 (Group) 31 (Warning)
- ★ Size: H 399.8\*L 1095.2\*D 70.4mm (14 modules)  
H 399.8\*L 1410\*D 70.4mm (16 modules)  
H 399.8\*L 1725\*D 70.4mm (18 modules)  
H 399.8\*L 2040\*D 70.4mm (20 modules)

## FEATURE

- ★ Compliance: SAE J595, CA T13, R65
- ★ Ingress Protection Rating: IP67
- ★ Color Availability : R / B / C / A
- ★ Color Arrangement:  
Red, Blue, Clear, Amber(SINGLE)  
RA, RB, RC, AB, AC, BC (SPLIT)
- ★ Optics : F/E/C/L/S/R
- ★ Housing: Aluminum
- ★ Accessories: L bracket\*2, Screw \*4,  
Switch Panel\*1 or Control Box\*1
- ★ Mounting Option: Permanent
- ★ Synchronization: Maximum of 8 Lightheds
- ★ Function: Standard, Stop, Independent control,  
Take down, Super take down, DIM, Fast

## Accessories



## Color Array



Single



Split



www.topwarninglight.com

TOP WARNING LIGHT TECHNOLOGY CO., LTD.



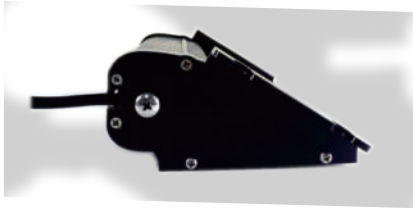
# DASH/DECK



## Feature

- Compliance: SAE J595, ECE R10
- Ingress Protection Rating: IP65
- Housing: PC
- Come with Suction cups / Adhesive foam / Universal Swivel U Bracket / Screws
- Mounting Option: Permanent mount / Suction mount

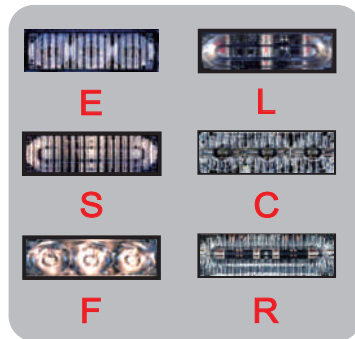
## Single & Dual/Split Color



## Specification

- Input Voltage: 10~30V DC.
- LED: High Power LED\*4/6/8/12
- Input Current:
  - 1 module- 41/61/81:0.9 Amps Max
  - 2 module- 42/62/82:1.5 Amps Max
  - 1 module- 61/C1:2.0 Amps Max
- Ambient Temperature Range: -30~50°C
- Flash Patterns:
  - 1 module-41/61/81: 25
  - 2 module-42/62/82: 37
  - 1 module-61/C1: 40

## Optics Options

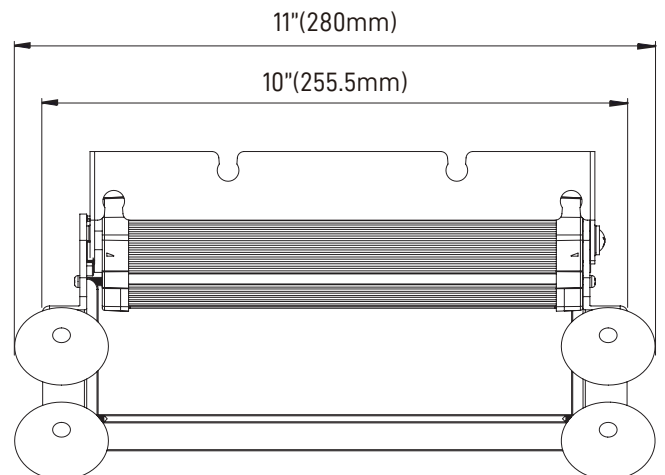
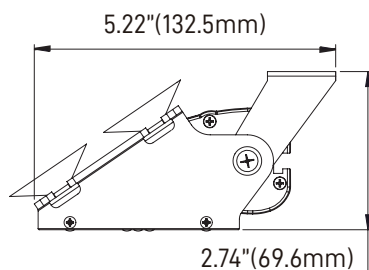


## Accessories



## Dimension:

- ww4x-41 / 61 / 81 : 158.8\*88.5\*53.2mm
- ww4x-42 / 62 / 82 : 255.2\*88.5\*53.2mm
- ww4x-61 / C1 : 200.8\*88.5\*53.2mm







# LIGHT BAR

## Module Design

### Feature

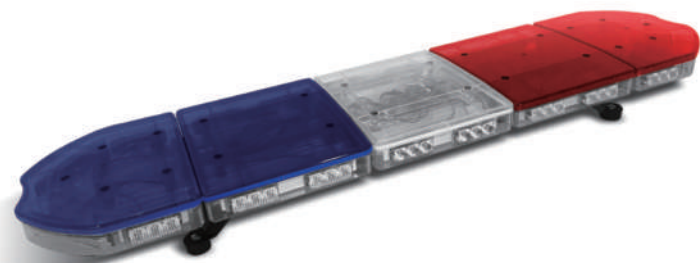
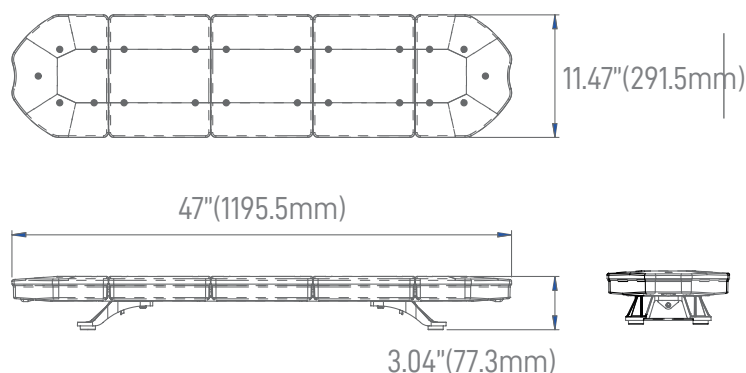
- Modular design arrangement fit respectively with 37"/47"/57"
- Easy module replacement
- High power LEDs
- Compliance: SAE J845
- Ingress Protection Rating: IP65
- Optics: Focus + Diffusion
- Housing: Polycarbonate
- Top Cover / Bottom Cover : Plastic

### Single Color



### Dimension:

11.47" (291.5mm) W x 47" (1195.5mm) L x 3.04" (77.3mm) H



### Accessories



Universal Mount

(Optional)



Control Panel

### Specification

- Model Name: Light Bar JJE Series Full Size
- Input Voltage: 10~15VDC
- Input Current: 20A max@DC12V
- Function: Standard Warning, Take down, Alley light, Traffic Advisor
- Ambient Temperature Range: -40~70°C
- Mounting Option: Metal bracket or Plastic bracket
- Flash Pattern: 31



**TWL** TOP WARNING LIGHT TECHNOLOGY CO., LTD.



# MINI INNER BAR

JIM S1 series



## Accessories



Universal Mount

(Optional)



Control Panel

## Feature

- Compliance: SAE J595, ECE R10
- Synchronize feature: N/A
- Housing: Aluminum
- Module: 8 modules
- Dual Color: 6 LED/module, Tri Color: 9 LED/module
- Optics: Linear+Diffuser Intergrated

## Dual Color



## Tri Color



## Specification

Model Name : JIMS1 series

Input Voltage: 10~30V

Input Current: 8.0A max@DC12V, 5.0A max@DC24V

Flash Pattern : Dual 21, Tri 37

Ambient Temperature Range: -30~50°C

Mounting Brackets: Universal standard version

Connecting Cable Length: 23 inch

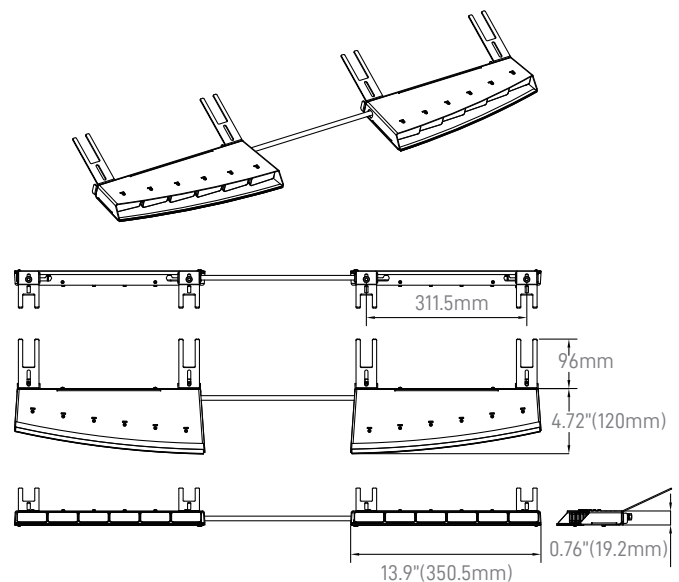
Connecting Wire: 11.5 feet

Programming: Dim, Directional, Take down module selectable, Mode 1 / Mode 2 memory switch, Cruise mode

## Dimension:

Size :13.9"\*4.72"\*0.76"(350.5X120X19.2mm)

\*This is a single-sided size, not including a fixed bracket and wire length.



**TWL** TOP WARNING LIGHT TECHNOLOGY CO., LTD.



# MINI BAR MC series

## Feature

- Compliance: SAE J845
- Ingress Protection Rating: IP67
- Optics: E Optics (Focus+Diffuser), L Optics on the side
- Lens Cover: PC
- Mounting Options: Permanent or Magnet

## Accessories



Cig Plug



Magnet

## Single



## Specification

Model Name: Mini Bar MC series

Input Voltage: 10~30V

Synchronize: Maximum of 8 Mini Bars

Input Current: 7.0A max @DC12V, 5.0A max @DC24V

High power : 6 LED \* 4 Module

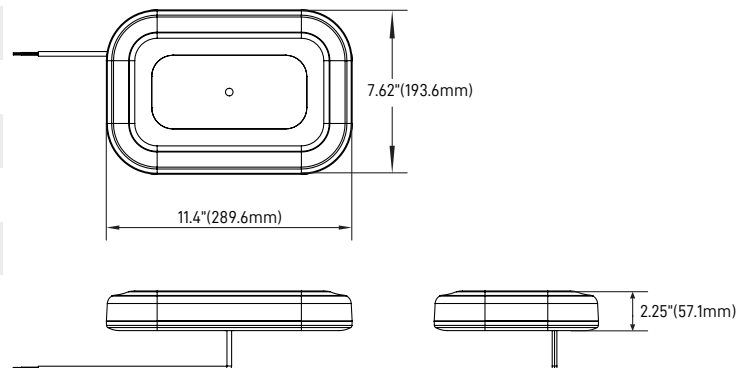
Function: Standard

Ambient Temperature Range: -30~50°C

Flash Pattern: 60

## Dimension:

11.4" (289.6mm) x 7.62" (193.6mm) x 2.25" (57.1mm)



**TWL** TOP WARNING LIGHT TECHNOLOGY CO., LTD.



# MINI BAR *MC series*

## Feature

- Compliance: SAE J845, R65 II (B, A)
- Ingress Protection Rating: IP67
- Optics: E Optics (Focus+Diffuser), L Optics on the side
- Lens Cover: PC
- Mounting Options: Permanent or Magnet

## Accessories



Cig Plug

Magnet

## Single / Split Color



## Specification

Model Name: Mini Bar MC series 38

Input Voltage: 10~30V

Synchronize: Maximum of 8 Mini Bars

Input Current: 7.0A max @DC12V, 5.0A max @DC24V

High power : 3 LED \* 8 Module

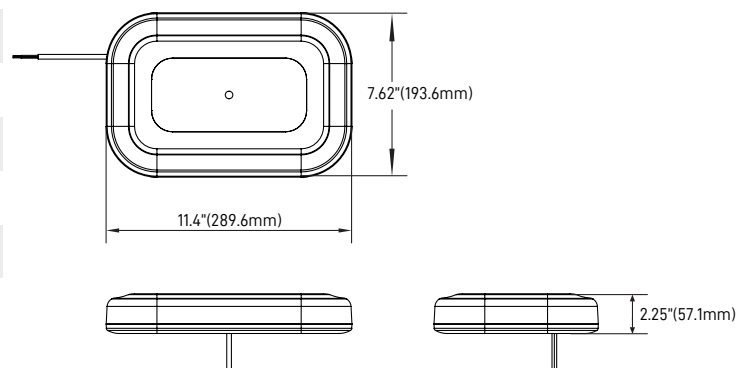
Function: Standard

Ambient Temperature Range: -30~50°C

Flash Pattern: 60

## Dimension:

11.4" (289.6mm) x 7.62" (193.6mm) x 2.25" (57.1mm)



**TWL** TOP WARNING LIGHT TECHNOLOGY CO., LTD.



# MINI BAR MB series



## Feature

- Compliance: SAE J845
- Ingress Protection Rating: IP65
- Optics: E Optics (Focus+Diffuser), L Optics on the side
- Lens Cover: PC
- Mounting Options: Permanent or Magnet

## Accessories



Cig Plug



Magnet

## Single / Split Color



## Specification

Model Name: Mini Bar MB series

Input Voltage: 12~24V

Synchronize: Maximum of 8 Mini Bars

Input Current: 7.0A max @DC12V, 5.0A max @DC24V

High power : 4 LED \* 10 Module

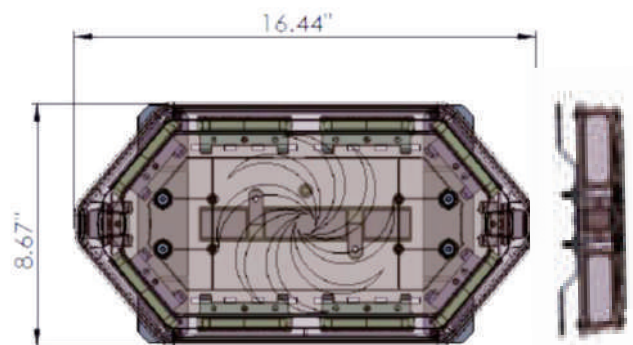
Function: Standard

Ambient Temperature Range: -40~60°C

Flash Pattern: 60

## Dimension:

2.44" (62mm) D x 16.46" (418mm) L x 9.45"(240mm) H



**TWL** TOP WARNING LIGHT TECHNOLOGY CO., LTD.



# U SHAPE



## Feature

- Compliance: SAE J595, CA T13, ECE R10
- Ingress Protection Rating: IP67, IP69
- High Power LED: Single\*6/Module, Dual\*12/Module
- Module: 4 modules
- Material: ABS

## Single & Split/Dual Color



## Specification

Model Name : JOCU1 Series

Input Voltage: 10-30 VDC @ 5 A Fuse

Input Current: 4 Amp Max

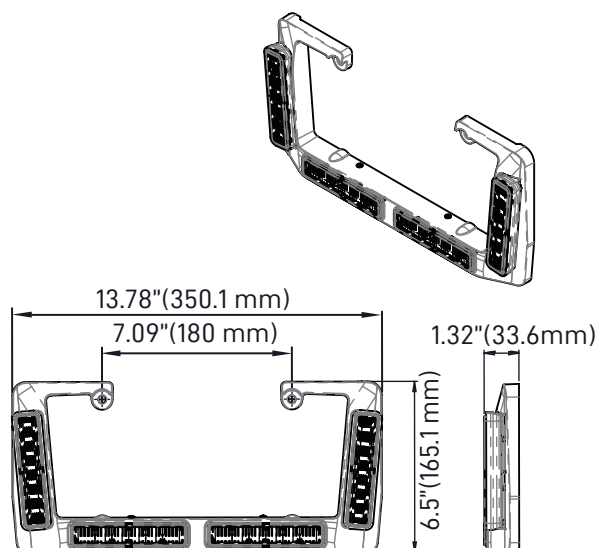
Ambient Temperature Range: -30~70°C

Mounting Brackets: L Bracket\*1, Screws\*2

Flash Pattern : Single 34, Dual 61

## Dimension:

Size :13.78" x 1.32" x 6.5"(350.1 x 33.6 x 165.1mm)



**TWL** TOP WARNING LIGHT TECHNOLOGY CO., LTD.



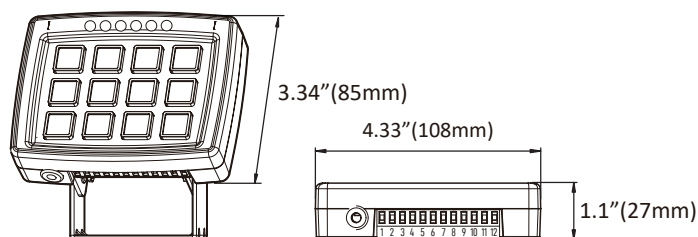
# CONTROL BOX

CB-12-TWL



## Feature

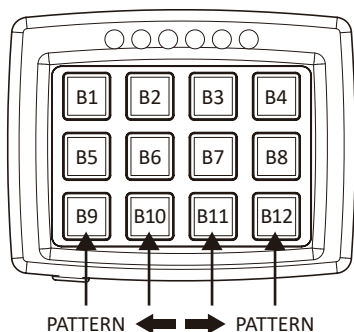
- This product can be arbitrarily matched with TWL products and functions.
- 20 selectable icon stickers to clearly label your panel.
- Size :13.9"\*4.72"\*0.76"(350.5X120X19.2mm)



## Matching Products

Mini Inner Bar	Light Bar	Traffic Warning	Traffic Arrow

## Operation Instruction



### Button B1, B2, B3, B4, B5, B6, B7, B8 :

Activates CH1, CH2, CH3, CH4, CH5, CH6, CH7 or CH8 Connection respectively; Is On/Off Switch.

### Button B9, B12 :

Activates CH9 or CH12 Connection respectively; Is Momentary switch.

### Button B10, B11 :

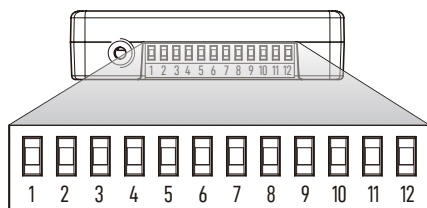
Activate CH10 or CH11 Connection respectively; Is On/Off Switch. Displays the flash signal or traffic director signal, or directional/warning advisor.

### CH1, CH2, CH3, CH4, CH5, CH6, CH7, CH8, CH9 or CH12 :

These are +VDC output connections that each connect to one auxiliary device or input, up to a maximum of 0.2 Amps.

### CH10, CH11 :

These connect to the func..on wire of compatible products or a directional/warning advisor to display the current activity through LED indicators. They are +VDC output connections that each connect to one auxiliary device or input, up to a maximum of 0.2 Amps.



**TWL** TOP WARNING LIGHT TECHNOLOGY CO., LTD.

# Shroud

Easy mounting for all vehicles



85°C  
Side Window



35°C  
Windshield



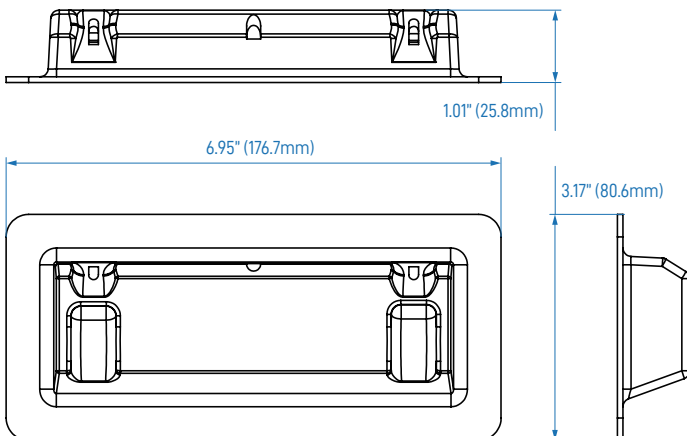
## Feature

- Window shrouds for use with 1 Sniper light head. Sold separately.
- Angle adjustment allows for a variety of placement options in 10 degrees.
- Optional windshield or side window placement models.
- VHB dual-lock applied to prevent flashback
- Rear wire exits to allow for concealed wire



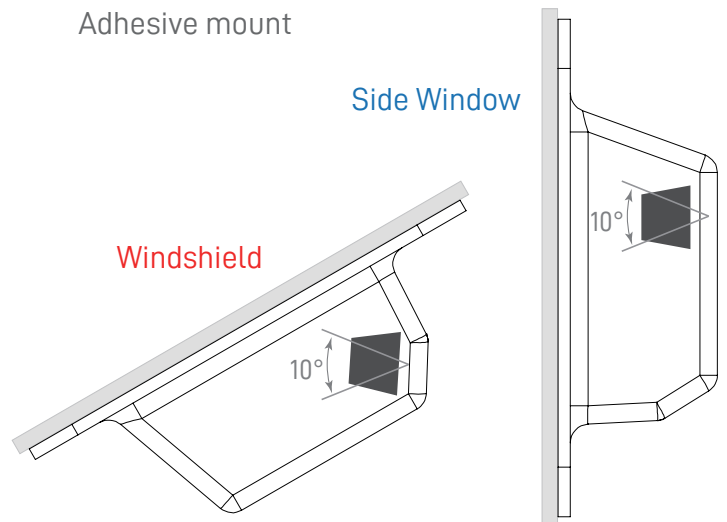
## Dimension:

- 6.95" \* 3.17" \* 1.01" ( 176.7 \* 80.6 \* 25.8mm )



## Mounting :

Adhesive mount



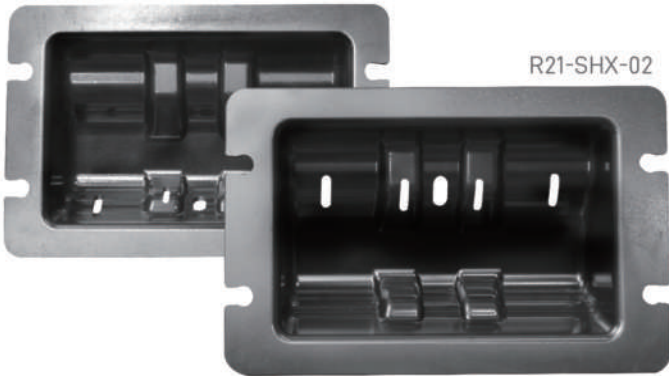
**TWL** TOP WARNING LIGHT TECHNOLOGY CO., LTD.



# Shroud

## Accessories Series

R21-SHX-01



R21-SHX-02

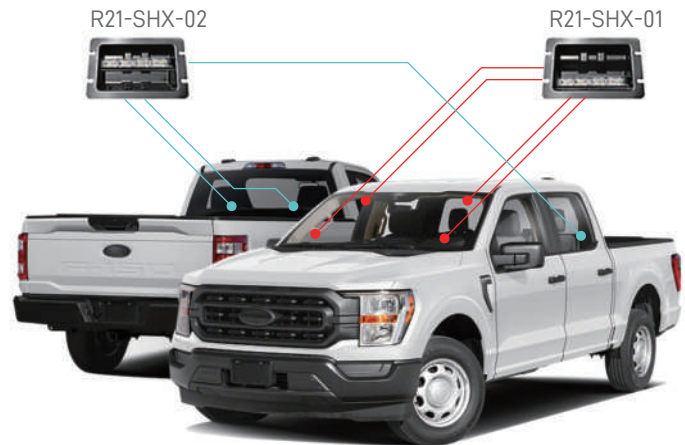


### Feature

- Apply with TWL LM6 sniper series
- Fits for windshield or side window of any vehicles
- Up to 10 degree swivel light head angle

### Mounting :

Suction mount / Adhesive mount



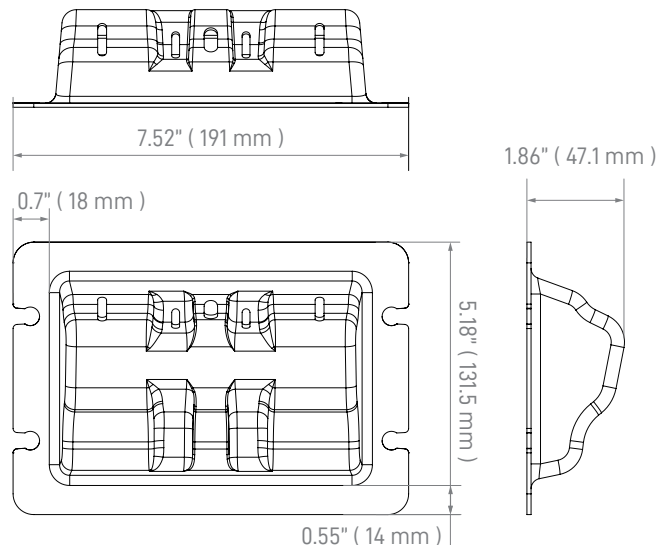
### Accessories :

4 \* Suction cup, 2 \* 3M Adhesive form, 1 \* Alcohol pads, 2 \* Screw and Bezel / 1 \* Form Sheet



### Dimension:

- 7.52" \* 5.18" \* 1.86" ( 191 \* 131.5 \* 47.1mm )



**TWL** TOP WARNING LIGHT TECHNOLOGY CO., LTD.



# License Bracket

Accessories



## Feature

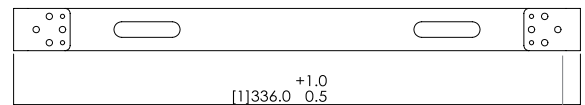
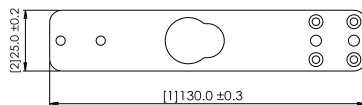
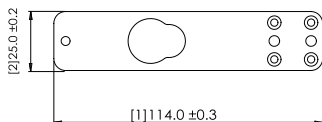
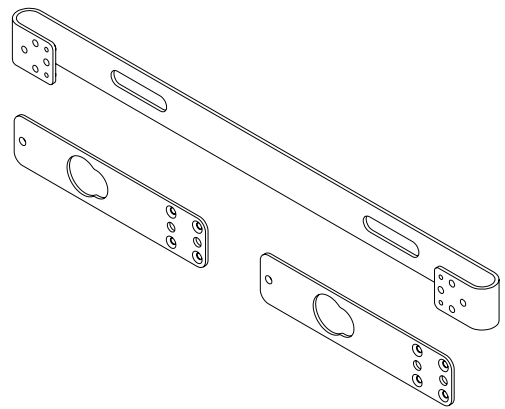
1. Applicable with LM4/LM6 Surface Mount lighthouse
2. Aluminum with anodized finish
3. Rotating plates allow for flexible installation

## Dimension

Main: 13.23"(336mm) \* 0.98"(25mm) \* 0.67"(17mm)

LM4 Bracket: 4.49"(114mm) \* 0.98"(25mm) \* 0.06"(1.5mm)

LM6 Bracket: 5.12"(130mm) \* 0.98"(25mm) \* 0.06"(1.5mm)



**TWL** TOP WARNING LIGHT TECHNOLOGY CO., LTD.

# TWL 2023 CATALOGUE



TOP WARNING LIGHTTECHNOLOGY CO., LTD.

