



TWL 2023 CATALOGUE

TOP WARNING LIGHTTECHNOLOGY CO., LTD.





LN series QUAD

Super Narrow Light Head



Feature

Compliance: SAE J595, CA T13, ECE R10
 Ingress Protection Rating: IP67/69
 Accessories: 1 Foam, Screws & Brackets
 Mounting Option: Surface mount / Stud mount /
 Bracket mount

Quad Color



(optional)

Accessories



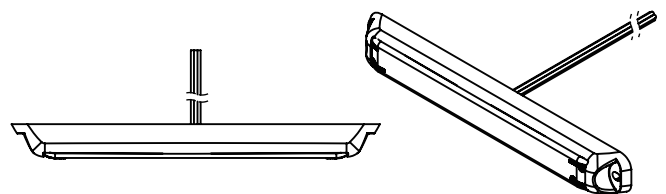
shroud

Specification

- Model No.: Mini Lighthouse LN6 Quad
- Input Voltage: 10~30VDC
- Led: High Power LED*16
- Input Current: 0.8A max
- Ambient Temperature Range: -40~70°C
- Flash Pattern: 22

Size

L5.35*W0.62*D0.63inch (136*15.8*16mm)





LN series Single & Dual

Super Narrow Light Head

SNIPER



Brackets



Screws & Nuts



Feature

Compliance:

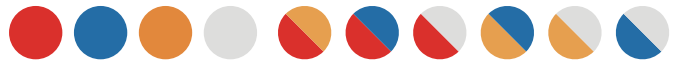
SAE J595, CA T13, ECE R10, R65II (Single A,B) , R65I (Dual A/B)

Ingress Protection Rating: IP67/69K

Accessories: 1 Foam, Screws & Brackets

Mounting Option: Surface Mount / Stud Mount/ Bracket mount

Single & Dual Color



shroud(optional)

Accessories



Specification

Model No.: Mini Lighthouse LN6 Single & Dual

Input Voltage: 10~30VDC

Single: High Power LED*6

Dual: High Power LED*12

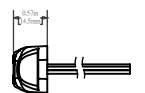
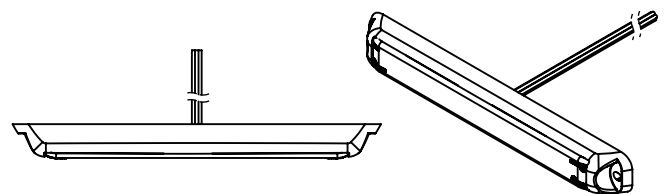
Input Current: 1.5A max @ DC12V, 1A max @ DC24V

Ambient Temperature Range: -40~70°C

Flash Pattern: Single Color 33, Dual Color 69

Size

L 5.35*W 0.62*D 0.63inch (136*15.8*16mm)



TWL TOP WARNING LIGHT TECHNOLOGY CO., LTD.



LBJ *ALL in ONE series*



Feature

- Compliance: SAE J595, CA T13, ECE R65 I (Dual A/B/R), R65 II (Single A,B,R)
- Linear Optics
- Available in 6 High power LEDs , 2 illuminate LEDs
- 2 LED puddle light with warning function
- Self-contain driver, All in one
- Ingress Protection Rating: IP67
- Color Arrangement : Single/Dual
- Grommet POP-N-LOCK
- Synchronizable up to 8 units

Single & Dual Color



Specification

Model No.: LB series

Input Voltage: 10-30VDC

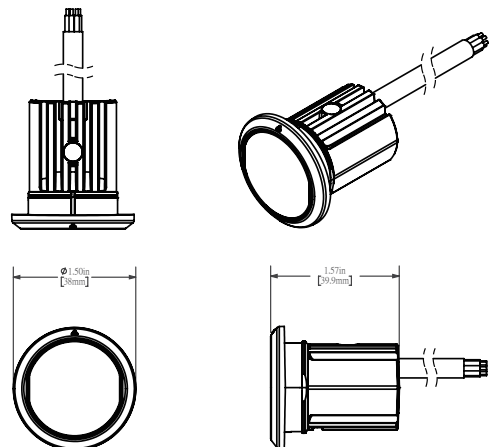
Input Current: 1.5A max@DC12.8V

Ambient Temperature Range: -30 to 70°C

Flash Pattern: 16(Single color), 24 (Dual color)

Dimension:

L1.57" x W1.50" x D1.50" (39.9 x 38 x 38 mm)



TWL TOP WARNING LIGHT TECHNOLOGY CO., LTD.



LBJ8 *ALL in ONE series*



Feature

- Compliance: SAE J595, CA T13, ECE R65 I (Dual A/B/R), R65 II (Single A,B,R)
- Linear Optics
- Available in 6 High power LEDs , 2 illuminate LEDs
- 2 LED puddle light with warning function
- Self-contain driver, All in one
- Ingress Protection Rating: IP67
- Color Arrangement : Single/Dual
- Grommet POP-N-LOCK
- Synchronizable up to 8 units

Single & Dual Color



Specification

Model No.: LB series

Input Voltage: 10-30VDC

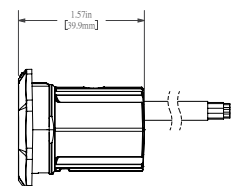
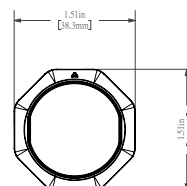
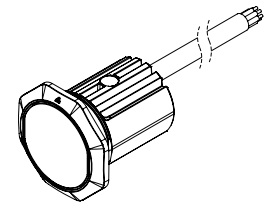
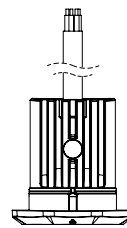
Input Current: 1.5A max@DC12.8V

Ambient Temperature Range: -30 to 70°C

Flash Pattern: 16(Single color), 24 (Dual color)

Dimension:

L1.57" x W1.51" x D1.51" (39.9 x 38.3 x 38.3 mm)



TWL TOP WARNING LIGHT TECHNOLOGY CO., LTD.

ALL IN ONE

ALL in ONE series

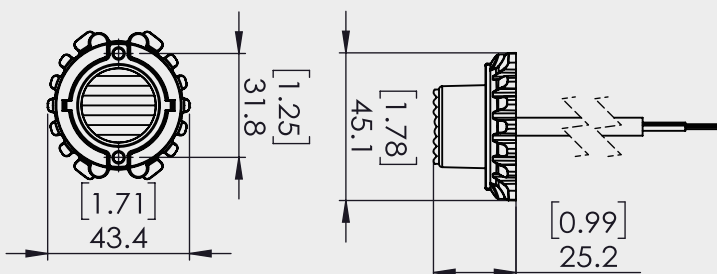


Feature

- Available in 4/ 6 / 8 / 9 / 12 High power LED version
- Self-contained driver, All in one
- Available Optics options to choose from
- Ingress Protection Rating: IP67
- Color Arrangement : Single/Dual/Split
- Aluminium Housing for better heat dissipation
- Synchronizable up to 8 units
- Come with EVA Gasket*1, Screws *2
- Optional Accessories:
Oval or Square L Bracket, C Bracket/ Black or Painted Chrome Bezel/ Grommet

Dimension

- Dimension: 0.99"H*1.78"W (25.1x45.1mm)



Specification

- Model No.: LB series
- Input Voltage: 10-30VDC
- Input Current: 0.8A~1.5A max@DC12V, 0.4A~0.75A max@DC24V
- Ambient Temperature Range: -30 to 50°C
- Flash Pattern: 21 (Single color), 37 (Dual color)

Single & Dual/Split Color

- Color : R, B, A, C, G, M, R/C, B/C, A/C, R/B, R/A, A/B



Accessories



Hide **Away** series



LHP
R10



LHR



LHD
R65 R10



LHE
R65 R10



LHF



LHU



LHQ



LHN



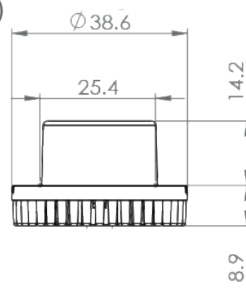
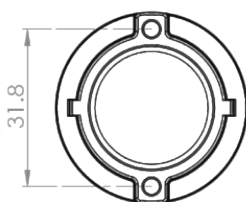
LHG

Feature

- Available in 4/ 6 / 8 / 9 / 12 High power LED version (varify from different model)
- Available Optics options to choose from
- SAE 595, R10(LHP/LHD/LHE), R65(LHD-41/42, LHE-41/42)
- Ingress Protection Rating: IP67
- Color Arrangement: Single/Dual/Split
- Aluminium Housing for better heat dissipation
- Synchronizable up to 8 units
- Come with EVA Gasket*1, Screws *2
- Optional Accessories:
Oval or Square L Bracket, C Bracket/ Black or

Dimension

0.91"H*1.52"W (25x38.6mm)



Specification

- Model No.: LH series
- Input Voltage: 10-30VDC
- Input Current: 1.5A max
- Ambient Temperature Range: -30 to 50°C
- Flash Pattern: 21 (Single color), 77 (Dual color)

Single & Dual/Split Color

- Color : R, B, A, C, G, M, R/C, B/C, A/C, R/B, R/A, A/B



Accessories



Bezel



Grommet



C Bracket
L Bracket





LM3 series Single



E11 A1-001101

E11 B1-001099

E11 10R-058912

Feature

- Compliance: SAE J595, ECE R10, R65 I(B, A)
- Ingress Protection Rating: IP67
- Housing: Aluminum
- Accessories: EVA Gasket*1, Screw *2
- Several optics available, F (Focus), E (Focus + Diffuser), C (Focus+T13 Diffuser), L (Linear), R (Linear+T13 Diffuser)
- Mounting Options: Surface mount / Bracket

Single Color



Specification

Model Name: Mini Lighthouse LM3

Input Voltage: 10~30V

High power LED*3

Synchronizable to up to 8 lamps

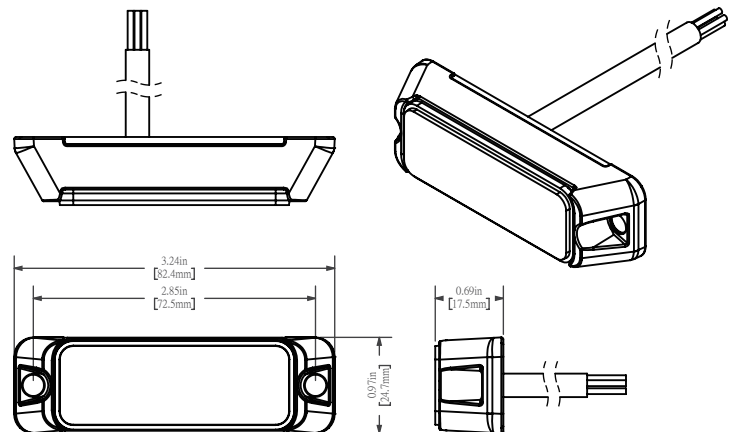
Input Current: 0.6A max@DC12V, 0.35A max@DC24V

Ambient Temperature Range: -30~50°C

Flash Pattern: max 20 patterns

Dimension:

0.69" (17.5mm)*3.23" (82.1mm)*0.97" (24.7mm)



TOP WARNING LIGHT TECHNOLOGY CO., LTD.



LM4 series



(E11) XA2-001101 (E11) XB2-001099

Feature

- Compliance: SAE J595, ECE R10, R65 (XA2, XB2)
- Ingress Protection Rating: IP67
- Housing: Aluminum, PC
- Optional Accessories: EVA Gasket*1, Screw *2
- Several optics available, F (Focus), E (Focus + Diffuser), C (Focus+T13 Diffuser), L (Linear), R (Linear+T13 Diffuser)
- Mounting Options: Surface mount / Bracket mount

Single Color



Dual/Split Color



Quad Color



Accessories



License Bracket

Specification

Model Name: Mini Lighthouse LM4 Dual

Input Voltage: 10~30VDC

High power LED*4

Synchronizable to up to 8 lamps

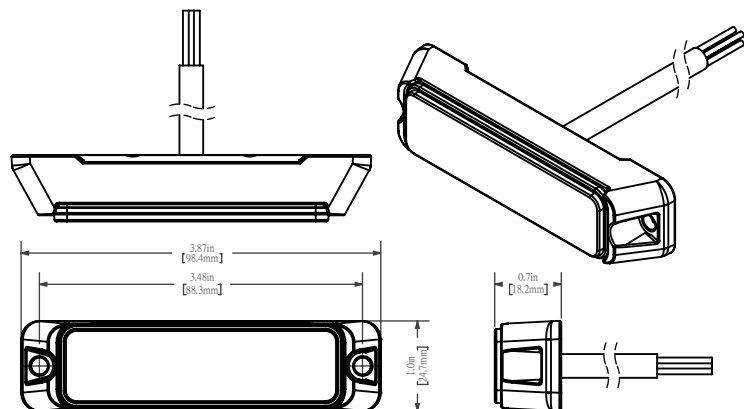
Input Current: 1.0A max@DC12V, 0.6A max@DC24V

Ambient Temperature Range: -30~50°C

Flash Pattern: 30

Dimension:

0.69" (17.5mm)*3.87" (98.2mm)*0.97" (24.7mm)



TWL TOP WARNING LIGHT TECHNOLOGY CO., LTD.



LM6 series Quad



Feature

- Compliance: SAE J595, CA T13, ECE R10, R65 I (XB1 , XA1)
- Ingress Protection Rating: IP67 / IP69
- Aluminium housing and PC Lens cover
- Standard accessories: 1 Foam, 2 Screws
- Mounting Options: Surface mount / Bracket mount (optional)

Quad Color



Specification

Model Name: Mini Lighthouse LM6 Quad

Input Voltage: 10~30V

Synchronizable up to 8 units

Led High power LED*24

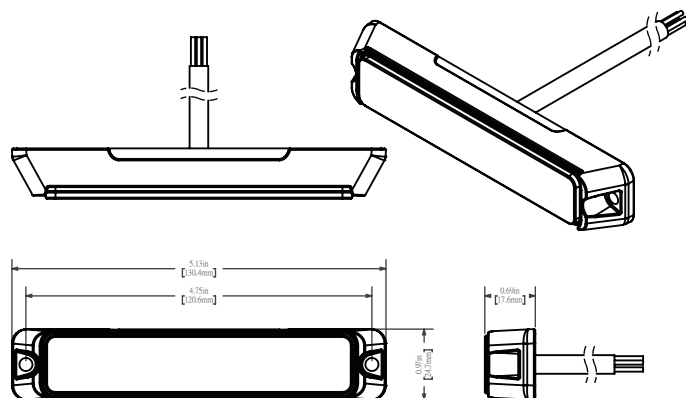
Input Current: 1.3A max@DC12V, 1.0A max@DC24V

Ambient Temperature Range: -30~50°C

Flash Pattern: max 18 patterns varies from color modes, total 7 groups, 15 color modes

Dimension:

0.69" (17.5mm) W x 5.13"
(130.4mm) L x 0.97" (24.7mm) H

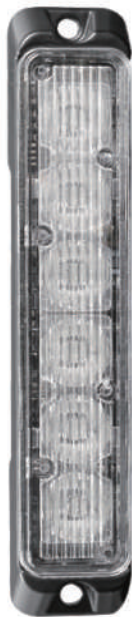


TWL TOP WARNING LIGHT TECHNOLOGY CO., LTD.



LM6 Vertical

Mini Lighthouse



E6 R65II
65R-000257

E6 R65II
65R-000258

E6 R10
10R-040525

Feature

- Vertical optics
- Compliance: SAE J595, ECE R10, R65 (XA2, XB2)
- Ingress Protection Rating: IP67 / IP69K
- Housing: Aluminium
- Accessories: 1 Foam, Screws
- Mounting Options: Universal Bracket
- Lens Cover: PC

Single Color



Specification

Model Name: Mini Lighthouse LM6 Vertical

Input Voltage: 10~30V

Synchronizable up to 8 units

High power LED*6

Function: Standard / Stop / DIM

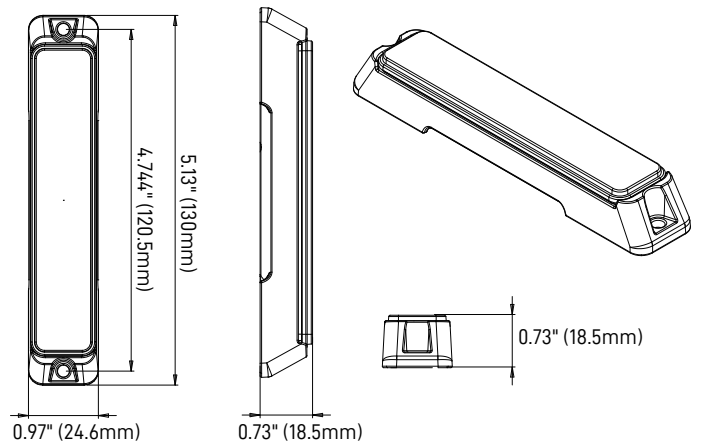
Input Current: 2.0A max@DC12V, 1.2A max@DC24V

Ambient Temperature Range: -30~50°C

Flash Pattern: 13

Dimension:

0.73" (18.5mm)* 5.13" (130mm)* 0.97" (24.7mm)



TWL TOP WARNING LIGHT TECHNOLOGY CO., LTD.



LR Series Dual

Special lamps Lighthouse



Feature

- Compliance : SAE J595, CA T13, ECE R10
- Ingress Protection Rating : IP67/IP69
- Optical : Focus
- Housing : PC
- Mounting Options : Surface mount with bezel by screw/Surface mount with adhesive

Single & Dual Color

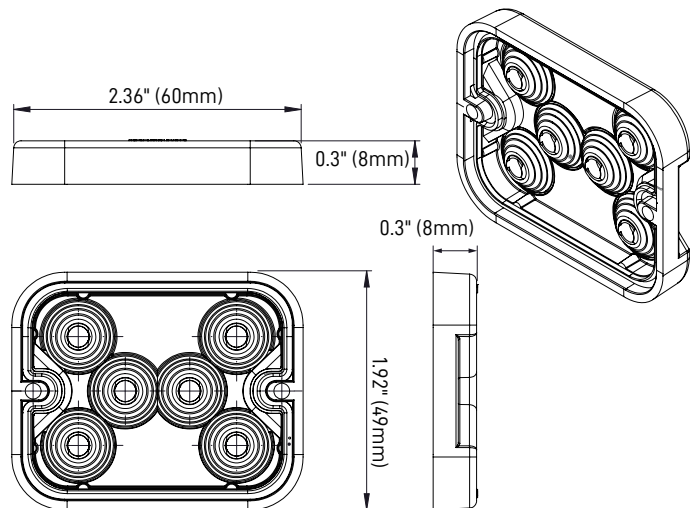


Specification

- Model Name : LR Series Warning Light Head
- Input Voltage : 10~30V
- High power LED*6
- Input Current : 1.2A max @ DC 12V / 1.0A max @ DC 24V
- Ambient Temperature Range : -30~70°C
- Size : 2.36" (60mm)*1.92" (49mm)*0.3" (8mm)
- Flash Pattern : Standard flash pattern
- Standard Accessories : Screws and bracket

Dimension:

Size : 2.36" (60mm)*1.92" (49mm)*0.3" (8mm)





LL2 Series Single

Standard Lighthouse



Feature

- Compliance: SAE J595, ECE R10
- Ingress Protection Rating: IP67
- High power LED *6 or 12
- Come with EVA Gasket *1, Screws *2
- Several optics available, F (TIR), E (TIR+Diffuser), C (TIR+Ca T13 Diffuser) L (Linear), S (Linear+Diffuser), R (Linear+Ca T13 Diffuser)
- Optional Accessories : High/ Low Bezels, Flanges, Brackets

Single Color



Specification

Model Name : Standard Lighthouse LL2

Input Voltage: 10~30V

Synchronizable up to 8 lamps

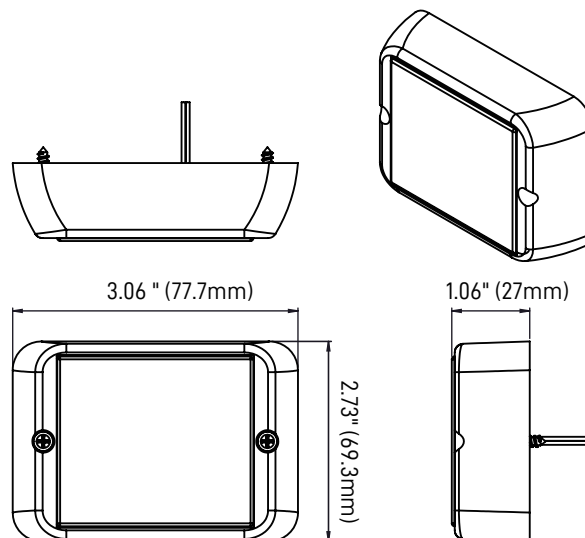
Flash Pattern : 25

Function : Standard / Stop

Ambient Temperature Range: -30~50°C

Dimension:

2.73" (69.3mm)*3.06" (77.7mm)*1.06" (27mm)



TWL TOP WARNING LIGHT TECHNOLOGY CO., LTD.



LL3 Series Single

Standard Lighthouse



Feature

- Compliance: SAE J595, ECE R10
- Ingress Protection Rating: IP67
- High power LED *3 or 6
- Come with EVA Gasket *1, Screws *2
- Several optics available, F (TIR), E (TIR+Diffuser), C (TIR+Ca T13 Diffuser), L (Linear), S (Linear+Diffuser), R (Linear+Ca T13 Diffuser)
- Optional Accessories : High/ Low Bezels, Flanges, Brackets

Single Color & Dual Color



Specification

Model Name: Standard Lighthouse LL3 Single/Dual

Input Voltage: 10~30V

Synchronizable up to 8 lamps

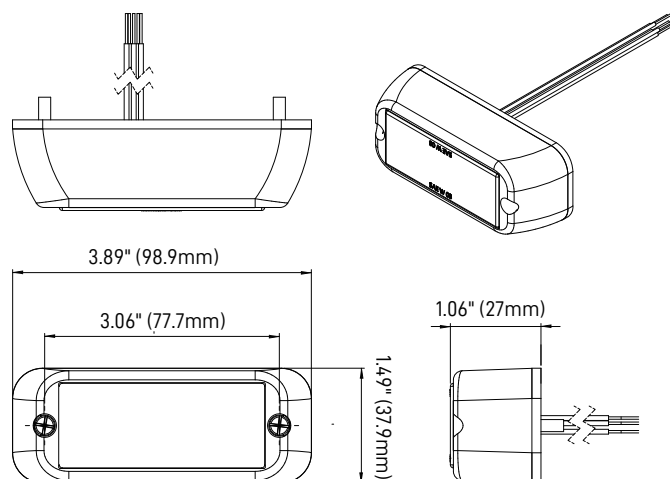
Flash Pattern : Single 15, Dual 37

Function : Standard / Stop

Ambient Temperature Range: -30~50°C

Dimension:

1.06" (27mm)*3.89" (98.9mm) *1.49" (37.9mm)





LL4 Series Dual

Standard Lighthouse



Feature

- Compliance: SAE J595, ECE R10
- Ingress Protection Rating: IP67
- High power LED *4. 6, 8, 12
- Come with EVA Gasket *1, Screws *2
- Several optics available
F (Focus), E (Focus+Diffuser), C (Focus+T13 Diffuser)
L (Linear), R (Linear+T13 Diffuser)
- Optional Accessories :
High/ Low Bezels, Flanges, Brackets

Single & Split/Dual Color



Specification

Model Name: Standard Lighthouse LL4 Dual

Input Voltage: 10~30V

Synchronizable up to 8 lamps

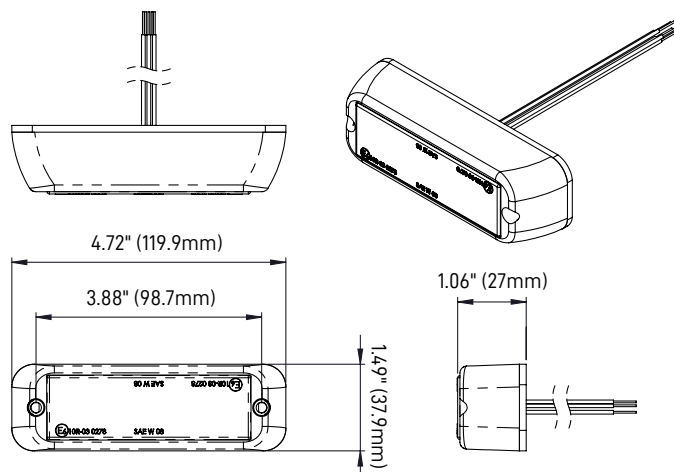
Flash Pattern: Single 25, Dual 37

Function : Standard / Stop

Ambient Temperature Range: -30~50°C

Dimension:

1.06" (27mm)*4.72" (119.9mm)*1.49" (37.9mm)





LL5 Series Dual

Standard Lighthouse



Feature

- Compliance: SAE J595, ECE R10, R65(B1)
- Ingress Protection Rating: IP67
- High power LED *8
- Come with EVA Gasket*1, Screws *2
- Several optics available
F (TIR), E (TIR+Diffuser)
L (Linear), R (Linear+Ca T13 Diffuser)
- Optional Accessories :
High/ Low Bezels, Flanges, Brackets

Single & Split/Dual Color



Specification

Model Name: Standard Lighthouse LL5

Input Voltage: 10~30V

Synchronizable up to 8 lamps

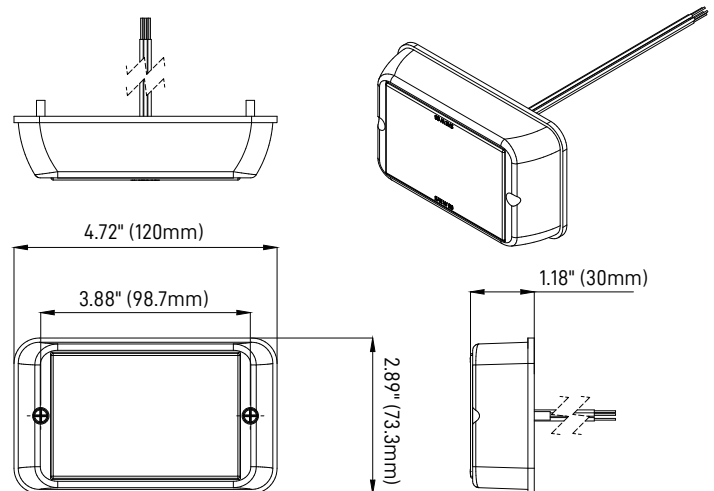
Flash Pattern : Dual 37

Function : Standard / Stop

Ambient Temperature Range: -30~50°C

Dimension:

Size : 4.72" (119.9mm)*2.89" (73.3mm)*1.18" (30mm)



TWL TOP WARNING LIGHT TECHNOLOGY CO., LTD.



LL6 Series Dual

Standard Lighthouse



Features

- Compliance: SAE J595, ECE R10, R65 (XB1)
- Ingress Protection Rating: IP67
- High power LED *6 or 12 or 18
- Come with EVA Gasket *1, Screws *2
- Several optics available,
F (TIR), E (TIR+Diffuser), C (TIR+Ca T13 Diffuser)
L (Linear), S (Linear+Diffuser), R (Linear+Ca T13 Diffuser)
- Optional Accessories :
High/ Low Bezels, Flanges, Brackets

Single & Dual Color



Specification

Model Name: Lighthouse Series LL6

Input Voltage: 10~30V

Synchronizable up to 8 lamps

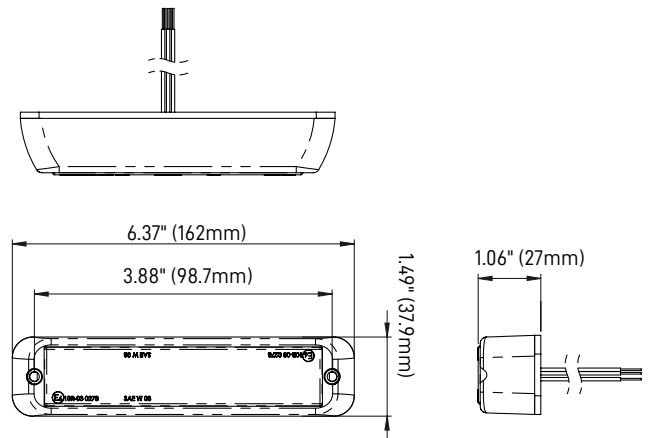
Flash Pattern : Single 25, Dual 37

Function : Standard / Stop

Ambient Temperature Range: -30~50°C

Dimension:

- Size : 1.06" (27mm)*6.37" (161.9mm)*1.49" (37.9mm)



TWL TOP WARNING LIGHT TECHNOLOGY CO., LTD.

BEACON



Feature

- Compliance: SAE J845, ECE R65 (TA2, TB2)
- Ingress Protection Rating: IP67 / IP69K
- EMC Protection: ECE R10, CISPR 25 Level 3
- Accessories: EVA Gasket *1, Screw *3
- Optional Accessories :
Magnet : Ø81mm + Grommet
Cig Plug

Single & Dual Color



Accessories

Cig Plug



Magnet

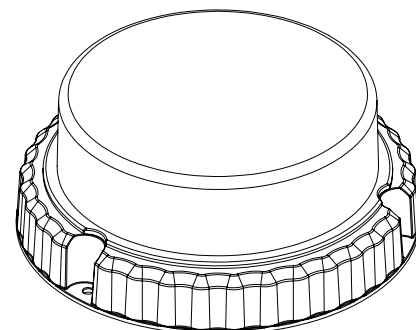
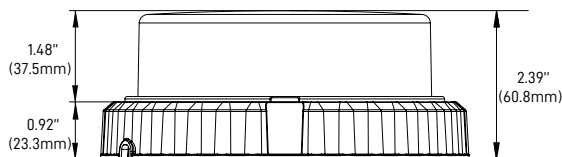
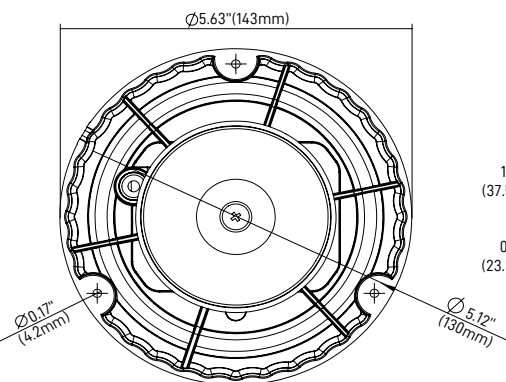


Specification

- Model No: BED
- Input Voltage: 10-30VDC
- Input Current: 3.0A max @ 12.8VDC
- Ambient Temperature Range: -30 to 70 °C
- Flash Pattern: 20
- LED: High Power LED 24

Dimension

- Ø5.63"(143mm)*H 2.39"(60.8mm)



BEACON



Beacon Series 4" BSD



Feature

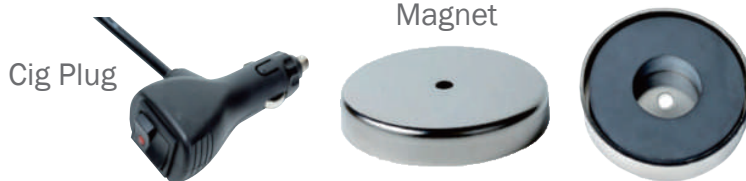
- Compliance : SAE J845
- Ingress Protection Rating : IP65
- LED : High Power LED 4 / 12
- Housing : Plastic
- Optional Accessories :
Permanent
Magnet mounting
Cig plug

Specification

- Model No : BSD
- Voltage : 10-30VDC
- Current : 2.0 Amps max @12.8VDC
- Function : Standard
- Flash Pattern : 30
- Synchronize : Maximum of 8 Beacons



Optional Accessories



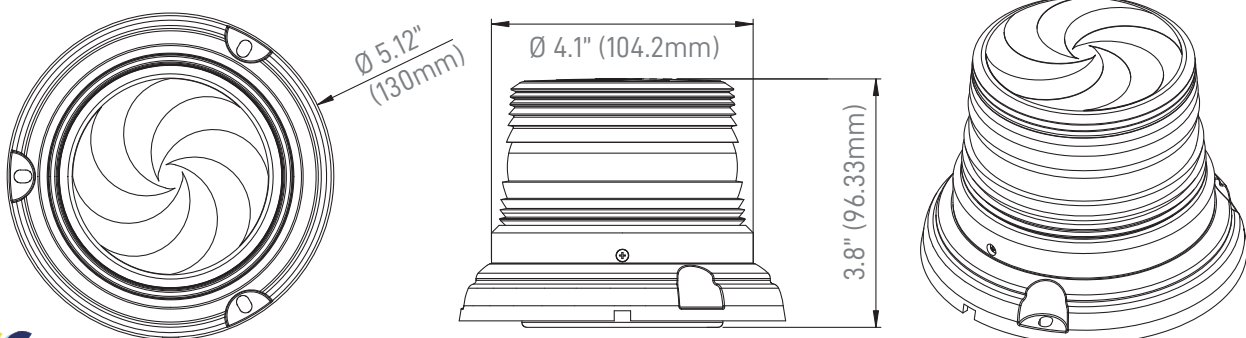
Color Availability

- LED Color : R / B / A / C / G / M



Dimension

- 4.1"(104.2mm)D x 3.8"(96.33mm)H



BEACON



Beacon Series 5" BMD



Feature

- Compliance : SAE J845
- Ingress Protection Rating : IP65
- LED : High Power LED 12 / 16
- Housing : Plastic
- Optional Accessories :
 - Permanent
 - Magnet mounting
 - Cig plug

Specification

- Model No : BMD
- Voltage : 10~30VDC
- Current : 2.0A max @12.8VDC
- Function : Standard
- Flash Pattern : 30
- Synchronize : Maximum of 8 Beacons



Optional Accessories



Magnet



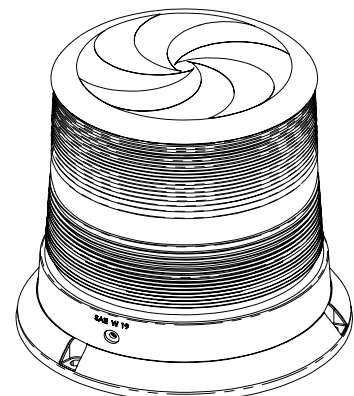
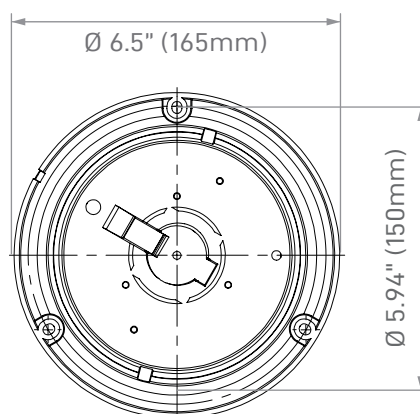
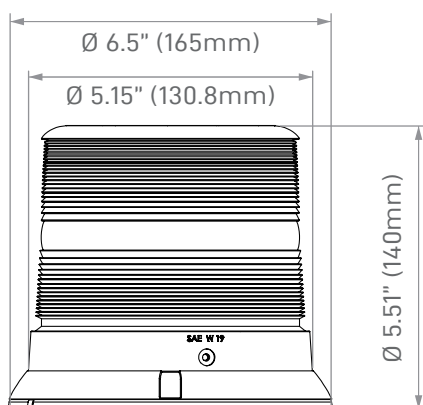
Color Availability

- LED Color : R / B / A / C / G / M



Dimension

- \varnothing 6.5" (165mm) x H 5.51" (140.0mm)



BEACON



Beacon Series 7" BLD



Feature

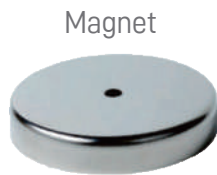
- Compliance : SAE J845
- Ingress Protection Rating : IP65
- LED : High Power LED 12 / 16
- Housing : Plastic
- Optional Accessories :
 - Permanent
 - Magnet mounting
 - Cig plug



Specification

- Model No : BLD
- Voltage : 10~30VDC
- Current : 2.0 A max @12.8VDC
- Synchronize : Maximum of 8 Beacons
- Function : Standard
- Flash Pattern : 30

Optional Accessories



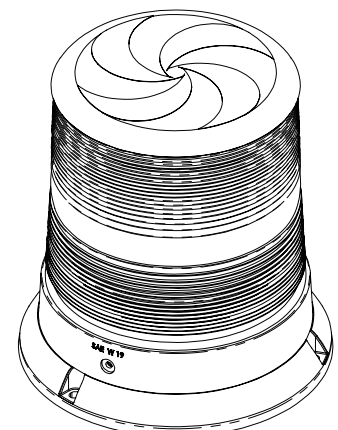
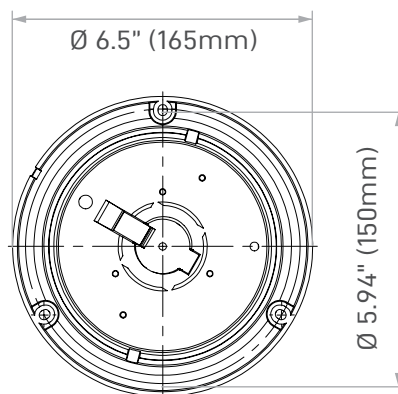
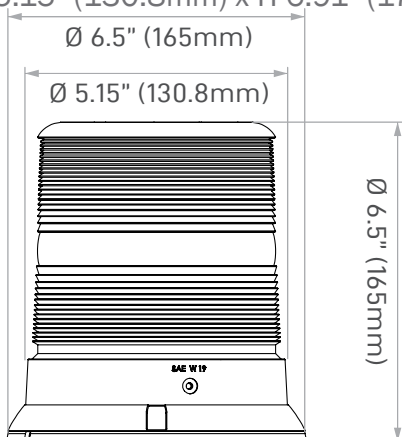
Color Availability

- LED Color : R / B / A / C / G / M

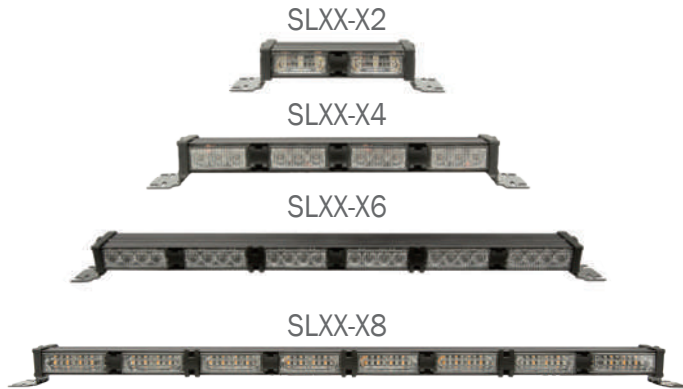


Dimension

- \varnothing 5.15" (130.8mm) x H 6.91" (175.6mm)



LIGHTSTICK



L bracket



Switch Panel



Control Box



Feature

- Compliance: SAE J595, CA T13
- Ingress Protection Rating: IP67
- High Power: LED*3, 4, 6, 8 / Per Module
- Housing: Aluminum
- Accessories: L bracket (Low or Standard profile), Screw *4, Switch Panel*1 or Control Box*1
- Several optics available:
 - F (TIR), E (TIR+Diffuser), C (TIR+Diffuser+T13),
 - L (Linear), S (Linear+Diffuser), R (Linear+Diffuser+Ca T13)
- Function: Standard / Stop / Take down/ DIM / Fast

Single & Split/Dual Color

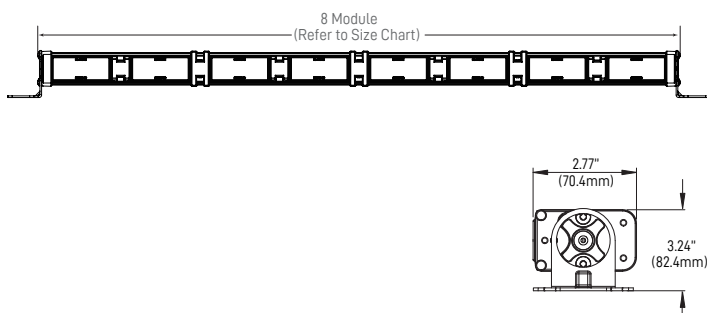


Specification

Model Name: SL3X/ SL4X series	3or6 LED		4 LED
Input Voltage: 10~30V	2Module	1.0/2.0A max @DC12V	1.6Amps max @DC12V
Synchronizable up to 8 lights	4Module	1.6/3.2A max @DC12V	3.2Amps max @DC12V
Flash Pattern : 25 (2 modules), 31 (4/6/8 modules)	6Module	2.4/4.8A max @DC12V	4.8Amps max @DC12V
Ambient Temperature Range: -30 to 50°C	8Module	3.2/6.4A max @DC12V	6.4Amps max @DC12V
Module: 2, 4, 6, 8			

Input Current

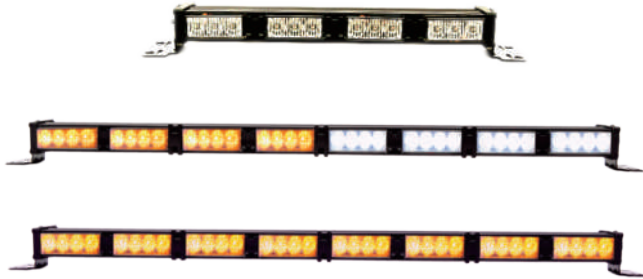
Dimension



	3or6 LED	4 LED
2Module	7.05" (179mm)	4.57" (116mm)
4Module	14.45" (367mm)	9.14" (232.1mm)
6Module	21.77" (553mm)	18.11" (460mm)
8Module	29.09" (739mm)	26.98" (685.2mm)



TRAFFIC WARNING



L bracket

Control Box

Control Panel



Feature

- Compliance: SAE J595, CA T13
- Ingress Protection Rating: IP67
- High Power: LED*3, 4, 6, 8 / Per Module
- Housing: Aluminum
- Accessories: L bracket (Low or Standard profile), Screw *4, Switch Panel*1 or Control Box*1
- Several optics available:
F (TIR), E (TIR+Diffuser), C (TIR+Diffuser+T13),
L (Linear), S (Linear+Diffuser), R (Linear+Diffuser+Ca T13)
- Function: Standard / Stop / Take down/ DIM / Fast

Single & Split/Dual Color



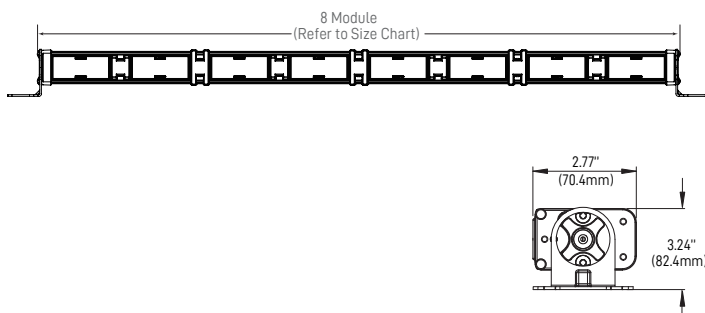
Specification

Model Name: TW3/ TW4 series
Input Voltage: 10~30V
Synchronizable up to 8 lights
Flash Pattern : 8 (Directional), 31 (Warning)
Ambient Temperature Range: -40 to 90°C
Module: 2, 4, 6, 8

Input Current

	6 LED	8 LED
6Module	4 Amax @12V	8 Amax @12V
8Module	5.4 Amax @12V	12.8 Amax @12V

Dimension



	TW3-6 LED	TW4-6or8 LED
6Module		26.7" (678.2mm)
8Module	29" (736.6mm)	35.7" (906.8mm)



TRAFFIC ARROW

New product coming soon



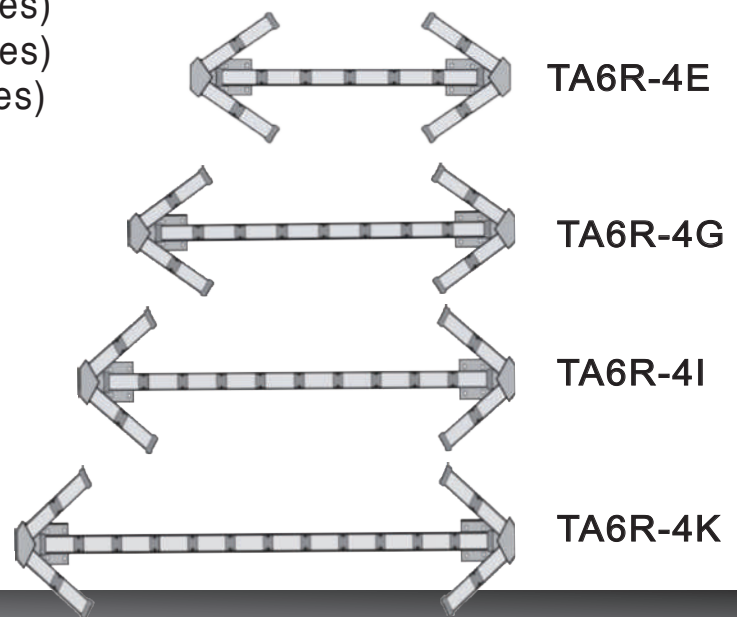
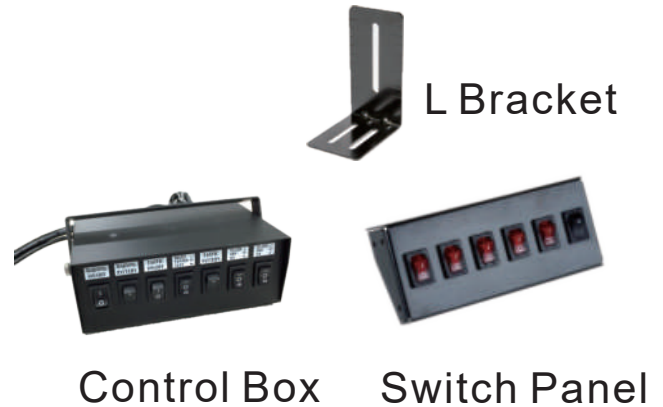
SPECIFICATION

- ★ Model Number: TA/TB series
- ★ Input Voltage: 10-30VDC
- ★ Led: 6 or 8 High Power LED/ per module
- ★ Input Current: 11.2 Amax @DC12V,
12.8 Amax @DC12V,
14.4 Amax @DC12V,
16 Amax @DC12V
- ★ Ambient Temperature Range: -40 to 90°C
- ★ Flash Pattern: 8 (Group) 31 (Warning)
- ★ Size: H 399.8*L 1095.2*D 70.4mm (14 modules)
H 399.8*L 1410*D 70.4mm (16 modules)
H 399.8*L 1725*D 70.4mm (18 modules)
H 399.8*L 2040*D 70.4mm (20 modules)

FEATURE

- ★ Compliance: SAE J595, CA T13, R65
- ★ Ingress Protection Rating: IP67
- ★ Color Availability : R / B / C / A
- ★ Color Arrangement:
Red, Blue, Clear, Amber(SINGLE)
RA, RB, RC, AB, AC, BC (SPLIT)
- ★ Optics : F/E/C/L/S/R
- ★ Housing: Aluminum
- ★ Accessories: L bracket*2, Screw *4,
Switch Panel*1 or Control Box*1
- ★ Mounting Option: Permanent
- ★ Synchronization: Maximum of 8 Lightheds
- ★ Function: Standard, Stop, Independent control,
Take down, Super take down, DIM, Fast

Accessories



Color Array



Single



Split



www.topwarninglight.com

TOP WARNING LIGHT TECHNOLOGY CO., LTD.



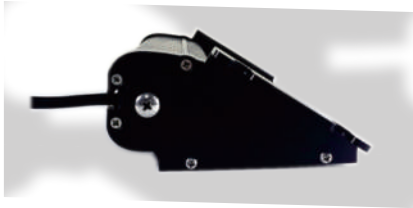
DASH/DECK



Feature

- Compliance: SAE J595, ECE R10
- Ingress Protection Rating: IP65
- Housing: PC
- Come with Suction cups / Adhesive foam / Universal Swivel U Bracket / Screws
- Mounting Option: Permanent mount / Suction mount

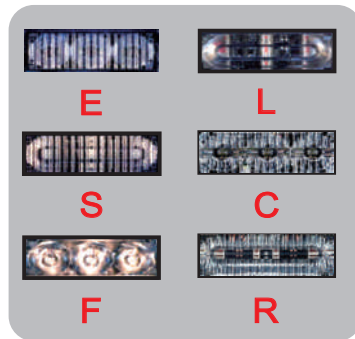
Single & Dual/Split Color



Specification

- Input Voltage: 10~30V DC.
- LED: High Power LED*4/6/8/12
- Input Current:
 - 1 module- 41/61/81:0.9 Amps Max
 - 2 module- 42/62/82:1.5 Amps Max
 - 1 module- 61/C1:2.0 Amps Max
- Ambient Temperature Range: -30~50°C
- Flash Patterns:
 - 1 module-41/61/81: 25
 - 2 module-42/62/82: 37
 - 1 module-61/C1: 40

Optics Options

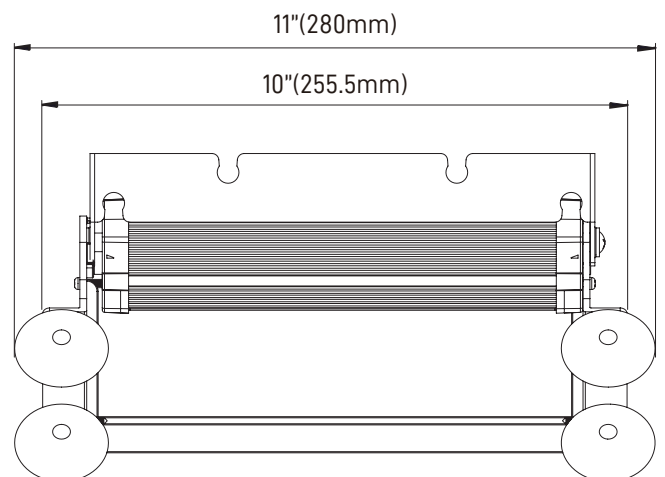
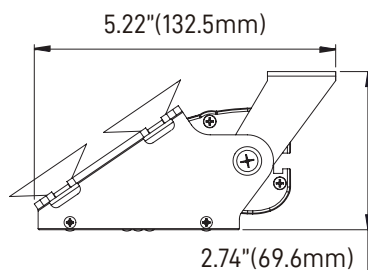


Accessories



Dimension:

- ww4x-41 / 61 / 81 : 158.8*88.5*53.2mm
- ww4x-42 / 62 / 82 : 255.2*88.5*53.2mm
- ww4x-61 / C1 : 200.8*88.5*53.2mm





LIGHT BAR

Module Design

Feature

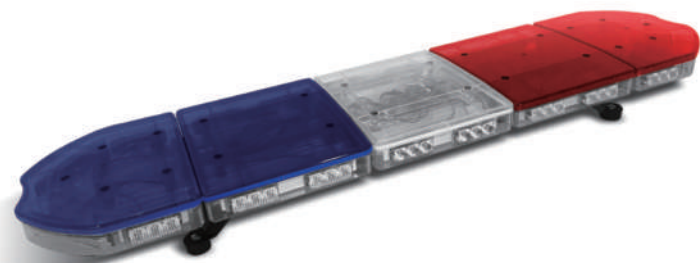
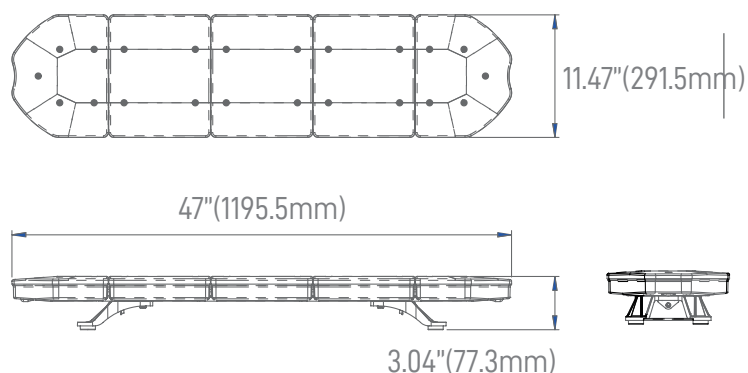
- Modular design arrangement fit respectively with 37"/47"/57"
- Easy module replacement
- High power LEDs
- Compliance: SAE J845
- Ingress Protection Rating: IP65
- Optics: Focus + Diffusion
- Housing: Polycarbonate
- Top Cover / Bottom Cover : Plastic

Single Color



Dimension:

11.47" (291.5mm) W x 47" (1195.5mm) L x 3.04" (77.3mm) H



Accessories



Universal Mount

(Optional)



Control Panel

Specification

- Model Name: Light Bar JJE Series Full Size
- Input Voltage: 10~15VDC
- Input Current: 20A max@DC12V
- Function: Standard Warning, Take down, Alley light, Traffic Advisor
- Ambient Temperature Range: -40~70°C
- Mounting Option: Metal bracket or Plastic bracket
- Flash Pattern: 31



TWL TOP WARNING LIGHT TECHNOLOGY CO., LTD.



MINI INNER BAR

JIM S1 series



(Optional)

Accessories



Universal Mount



Control Panel

Feature

- Compliance: SAE J595, ECE R10
- Synchronize feature: N/A
- Housing: Aluminum
- Module: 8 modules
- Dual Color: 6 LED/module, Tri Color: 9 LED/module
- Optics: Linear+Diffuser Intergrated

Dual Color



Tri Color



Specification

Model Name : JIMS1 series

Input Voltage: 10~30V

Input Current: 8.0A max@DC12V, 5.0A max@DC24V

Flash Pattern : Dual 52, Tri 57

Ambient Temperature Range: -30~50°C

Mounting Brackets: Universal standard version

Connecting Cable Length: 23.62 inch

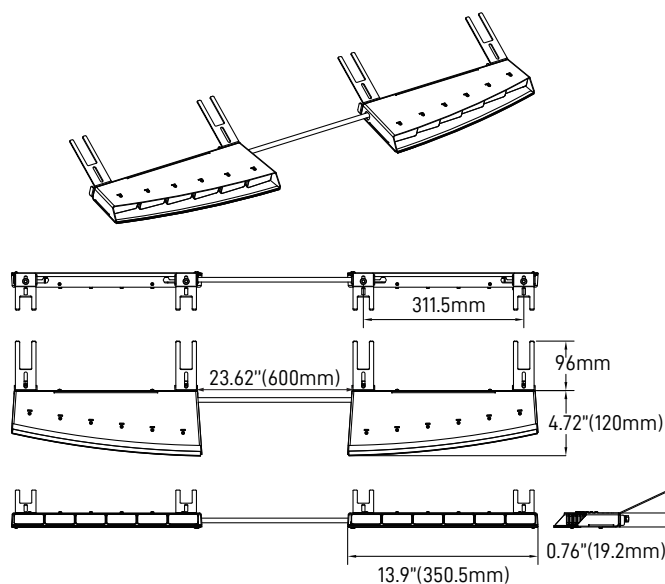
Connecting Wire: 11.5 feet

Programming: Dim, Directional, Take down module selectable, Mode 1 / Mode 2 memory switch, Cruise mode

Dimension:

Size :13.9"*4.72"*0.76"(350.5X120X19.2mm)

*This is a single-sided size, not including a fixed bracket and wire length.



TWL TOP WARNING LIGHT TECHNOLOGY CO., LTD.



MINI BAR *MC series*

Feature

- Compliance: SAE J845
- Ingress Protection Rating: IP67
- Optics: E Optics (Focus+Diffuser), L Optics on the side
- Lens Cover: PC
- Mounting Options: Permanent or Magnet

Accessories



Cig Plug



Magnet

Single



Specification

Model Name: Mini Bar MC series

Input Voltage: 10~30V

Synchronize: Maximum of 8 Mini Bars

Input Current: 7.0A max @DC12V, 5.0A max @DC24V

High power : 6 LED * 4 Module

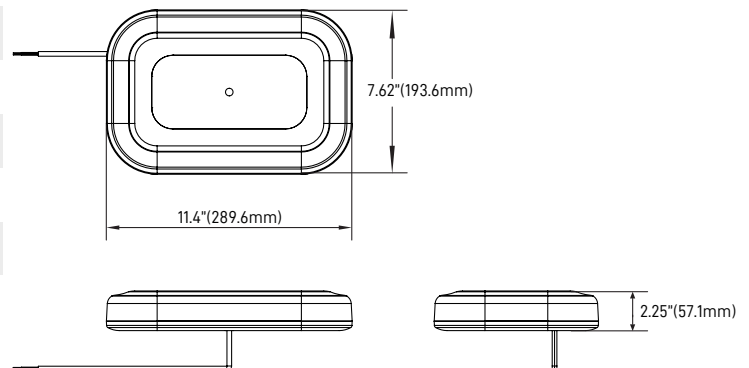
Function: Standard

Ambient Temperature Range: -30~50°C

Flash Pattern: 60

Dimension:

11.4" (289.6mm) x 7.62" (193.6mm) x 2.25" (57.1mm)



TWL TOP WARNING LIGHT TECHNOLOGY CO., LTD.



MINI BAR *MC series*

Feature

- Compliance: SAE J845, R65 II (B, A)
- Ingress Protection Rating: IP67
- Optics: E Optics (Focus+Diffuser), L Optics on the side
- Lens Cover: PC
- Mounting Options: Permanent or Magnet

Accessories



Cig Plug

Magnet

Single / Split Color



Specification

Model Name: Mini Bar MC series 38

Input Voltage: 10~30V

Synchronize: Maximum of 8 Mini Bars

Input Current: 7.0A max @DC12V, 5.0A max @DC24V

High power : 3 LED * 8 Module

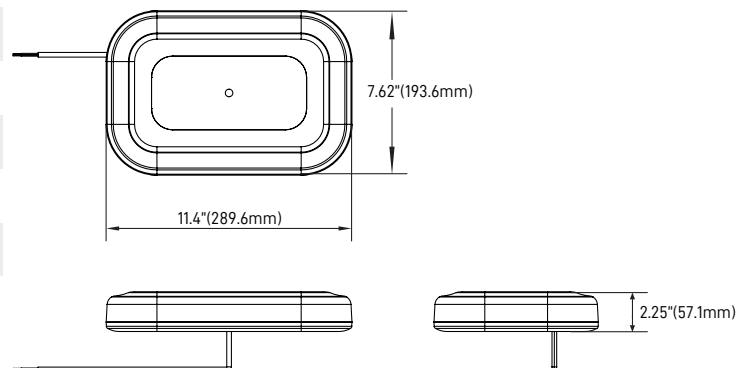
Function: Standard

Ambient Temperature Range: -30~50°C

Flash Pattern: 60

Dimension:

11.4" (289.6mm) x 7.62" (193.6mm) x 2.25" (57.1mm)



TWL TOP WARNING LIGHT TECHNOLOGY CO., LTD.



MINI BAR *MB series*



Feature

- Compliance: SAE J845
- Ingress Protection Rating: IP65
- Optics: E Optics (Focus+Diffuser), L Optics on the side
- Lens Cover: PC
- Mounting Options: Permanent or Magnet

Accessories



Cig Plug



Magnet

Single / Split Color



Specification

Model Name: Mini Bar MB series

Input Voltage: 12~24V

Synchronize: Maximum of 8 Mini Bars

Input Current: 7.0A max @DC12V, 5.0A max @DC24V

High power : 4 LED * 10 Module

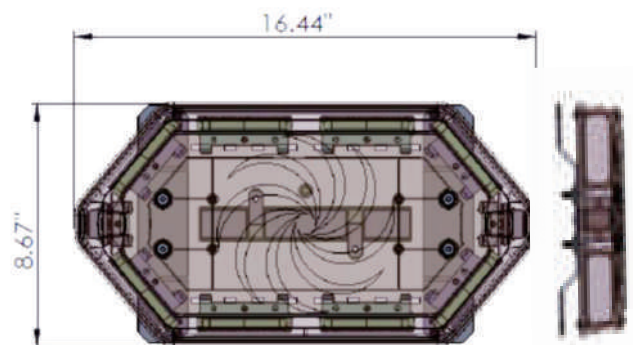
Function: Standard

Ambient Temperature Range: -40~60°C

Flash Pattern: 60

Dimension:

2.44" (62mm) D x 16.46" (418mm) L x 9.45"(240mm) H



TWL TOP WARNING LIGHT TECHNOLOGY CO., LTD.



U SHAPE



Feature

- Compliance: SAE J595, CA T13, ECE R10
- Ingress Protection Rating: IP67, IP69
- High Power LED: Single*6/Module, Dual*12/Module
- Module: 4 modules
- Material: ABS

Single & Split/Dual Color



Specification

Model Name : JOCU1 Series

Input Voltage: 10-30 VDC @ 5 A Fuse

Input Current: 4 Amp Max

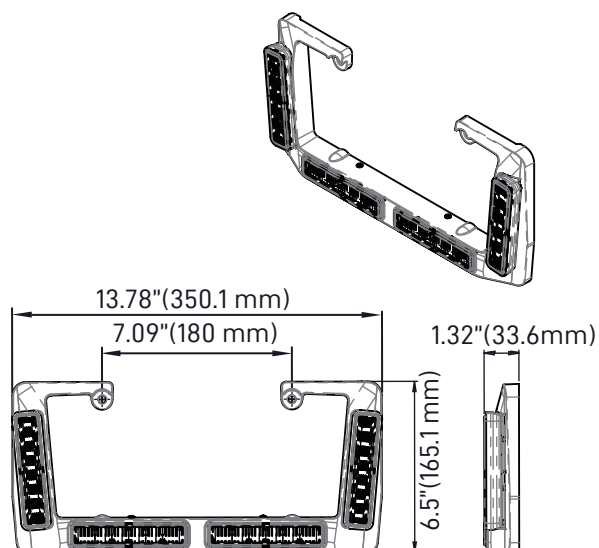
Ambient Temperature Range: -30~70°C

Mounting Brackets: L Bracket*1, Screws*2

Flash Pattern : Single 34, Dual 61

Dimension:

Size :13.78" x 1.32" x 6.5"(350.1 x 33.6 x 165.1mm)



TWL TOP WARNING LIGHT TECHNOLOGY CO., LTD.



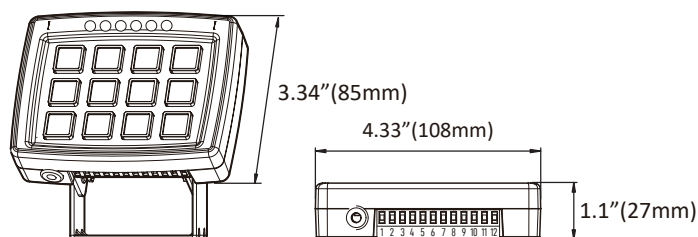
CONTROL BOX

CB-12-TWL



Feature

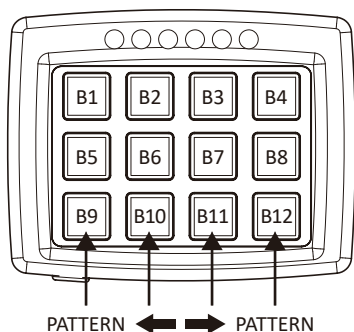
- This product can be arbitrarily matched with TWL products and functions.
- 20 selectable icon stickers to clearly label your panel.
- Size :13.9"*4.72"*0.76"(350.5X120X19.2mm)



Matching Products

Mini Inner Bar	Light Bar	Traffic Warning	Traffic Arrow

Operation Instruction



Button B1, B2, B3, B4, B5, B6, B7, B8 :

Activates CH1, CH2, CH3, CH4, CH5, CH6, CH7 or CH8 Connection respectively; Is On/Off Switch.

Button B9, B12 :

Activates CH9 or CH12 Connection respectively; Is Momentary switch.

Button B10, B11 :

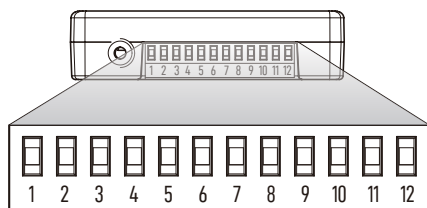
Activate CH10 or CH11 Connection respectively; Is On/Off Switch. Displays the flash signal or traffic director signal , or directional/warning advisor.

CH1, CH2, CH3, CH4, CH5, CH6, CH7, CH8, CH9 or CH12 :

These are +VDC output connections that each connect to one auxiliary device or input, up to a maximum of 0.2 Amps.

CH10, CH11 :

These connect to the func..on wire of compatible products or a directional/warning advisor to display the current activity through LED indicators. They are +VDC output connections that each connect to one auxiliary device or input, up to a maximum of 0.2 Amps.



TWL TOP WARNING LIGHT TECHNOLOGY CO., LTD.

Shroud

Easy mounting for all vehicles



85°C
Side Window



35°C
Windshield



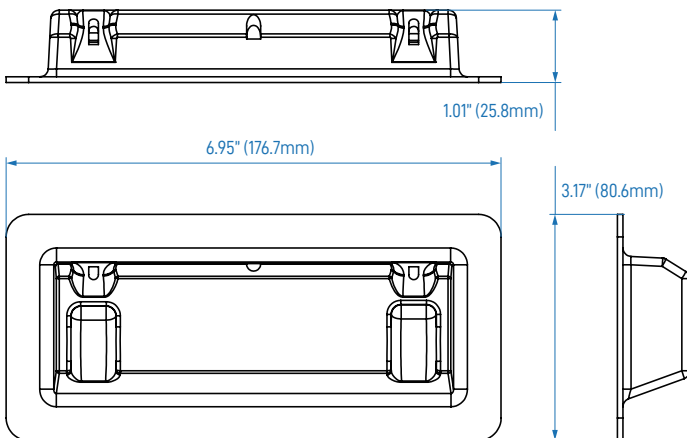
Feature

- Window shrouds for use with 1 Sniper light head. Sold separately.
- Angle adjustment allows for a variety of placement options in 10 degrees.
- Optional windshield or side window placement models.
- VHB dual-lock applied to prevent flashback
- Rear wire exits to allow for concealed wire



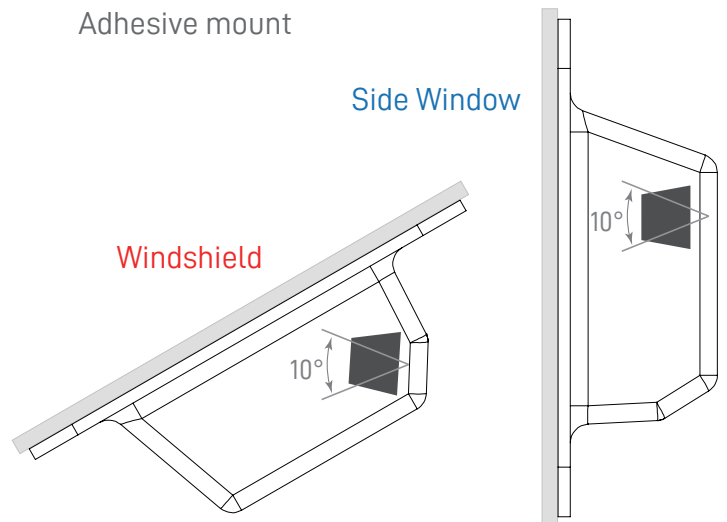
Dimension:

- 6.95" * 3.17" * 1.01" (176.7 * 80.6 * 25.8mm)



Mounting :

Adhesive mount



TWL TOP WARNING LIGHT TECHNOLOGY CO., LTD.

Shroud

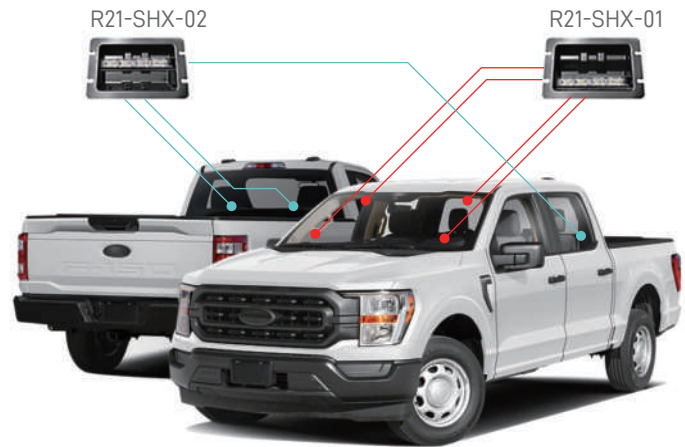
Accessories Series

Feature

- Apply with TWL LM6 sniper series
- Fits for windshield or side window of any vehicles
- Up to 10 degree swivel light head angle

Mounting :

Suction mount / Adhesive mount



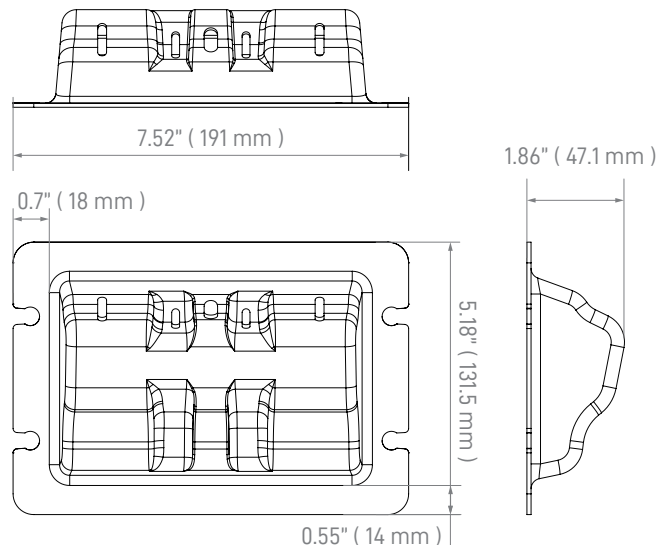
Accessories :

4 * Suction cup, 2 * 3M Adhesive form, 1 * Alcohol pads, 2 * Screw and Bezel / 1 * Form Sheet



Dimension:

- 7.52" * 5.18" * 1.86" (191 * 131.5 * 47.1mm)





License Bracket

Accessories



Feature

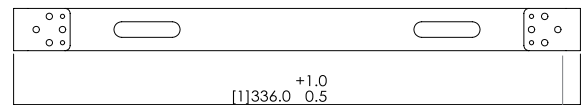
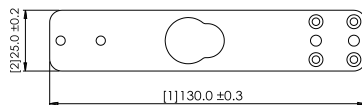
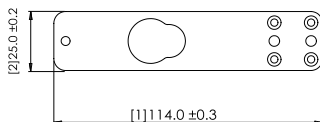
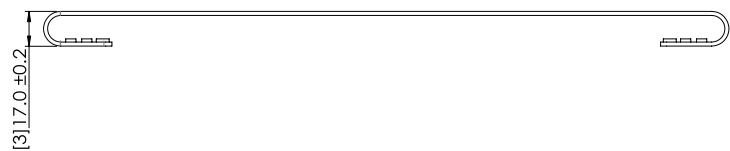
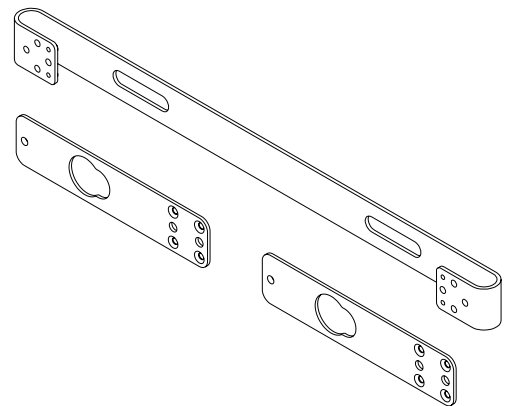
1. Applicable with LM4/LM6 Surface Mount lighthouse
2. Aluminum with anodized finish
3. Rotating plates allow for flexible installation

Dimension

Main: 13.23"(336mm) * 0.98"(25mm) * 0.67"(17mm)

LM4 Bracket: 4.49"(114mm) * 0.98"(25mm) * 0.06"(1.5mm)

LM6 Bracket: 5.12"(130mm) * 0.98"(25mm) * 0.06"(1.5mm)



TWL TOP WARNING LIGHT TECHNOLOGY CO., LTD.

TWL

2023

CATALOGUE



TOP WARNING LIGHTTECHNOLOGY CO., LTD.

