



# LN series Single & Dual

## Super Narrow Light Head



### Feature

Compliance:

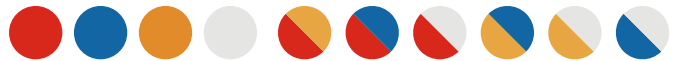
SAE J595, CA T13, ECE R10, R65II (Single A,B, Dual A/B )

Ingress Protection Rating: IP67/69K

Accessories: 1 Foam, Screws & Brackets

Mounting Option: Surface Mount / Stud Mount/ Bracket mount

### Single & Dual Color



shroud(optional)

### Accessories



Brackets

Screws & Nuts



### Specification

Model No.: Mini Lighthouse LN6 Single & Dual

Input Voltage: 10~30VDC

Single: High Power LED\*6

Dual: High Power LED\*12

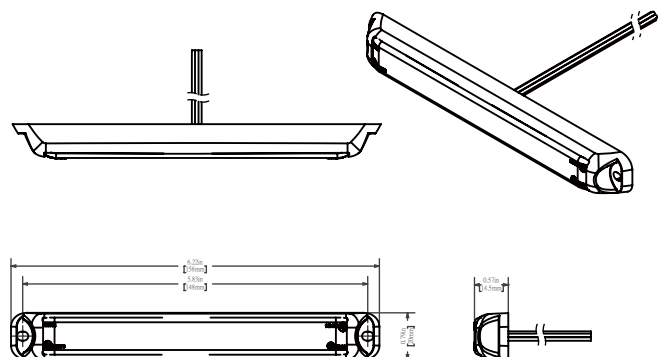
Input Current: 1.5A max @ DC12V, 1A max @ DC24V

Ambient Temperature Range: -40~70°C

Flash Pattern: Single Color 33, Dual Color 69

### Size

L 5.35\*W 0.62\*D 0.63inch (136\*15.8\*16mm)



TOP WARNING LIGHT TECHNOLOGY CO., LTD.