



U SHAPE



Feature

- Compliance: SAE J595, CA T13, ECE R10
- Ingress Protection Rating: IP67, IP69
- High Power LED: Single*6/Module, Dual*12/Module
- Module: 4 modules
- Material: ABS

Single & Split/Dual Color



Specification

Model Name : JOCU1 Series

Input Voltage: 10-30 VDC @ 5 A Fuse

Input Current: 4 Amp Max

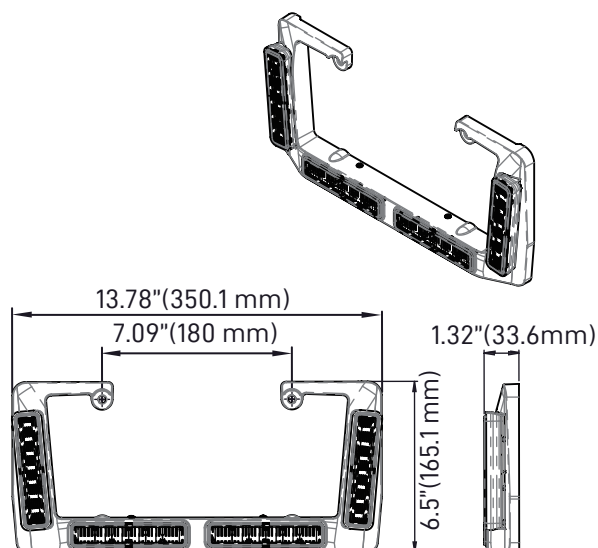
Ambient Temperature Range: -30~70°C

Mounting Brackets: L Bracket*1, Screws*2

Flash Pattern : Single 34, Dual 61

Dimension:

Size :13.78" x 1.32" x 6.5"(350.1 x 33.6 x 165.1mm)



TWL TOP WARNING LIGHT TECHNOLOGY CO., LTD.