



LL6 Series Dual

Standard Lighthouse



Features

- Compliance: SAE J595, ECE R10, R65 (XB1)
- Ingress Protection Rating: IP67
- High power LED *6 or 12 or 18
- Come with EVA Gasket *1, Screws *2
- Several optics available,
F (TIR), E (TIR+Diffuser), C (TIR+Ca T13 Diffuser)
L (Linear), S (Linear+Diffuser), R (Linear+Ca T13 Diffuser)
- Optional Accessories :
High/ Low Bezels, Flanges, Brackets

Single & Dual Color



Specification

Model Name: Lighthouse Series LL6

Input Voltage: 10~30V

Synchronizable up to 8 lamps

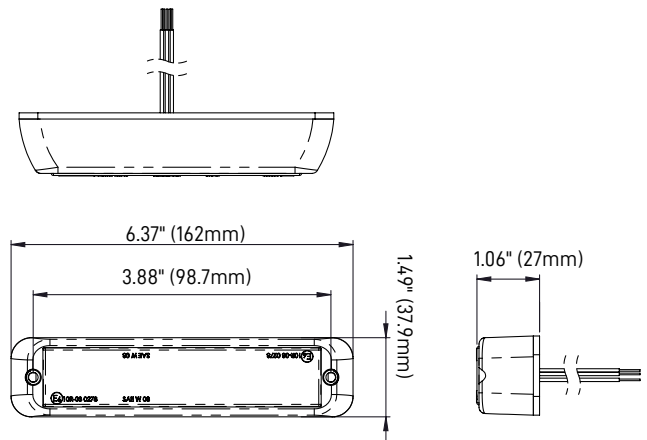
Flash Pattern : Single 25, Dual 37

Function : Standard / Stop

Ambient Temperature Range: -30~50°C

Dimension:

- Size : 1.06" (27mm)*6.37" (161.9mm)*1.49" (37.9mm)



TWL TOP WARNING LIGHT TECHNOLOGY CO., LTD.