



LL5 Series Dual

Standard Lighthouse



Feature

- Compliance: SAE J595, ECE R10, R65(XB1)
- Ingress Protection Rating: IP67
- High power LED *8
- Come with EVA Gasket*1, Screws *2
- Several optics available
F (TIR), E (TIR+Diffuser)
L (Linear), R (Linear+Ca T13 Diffuser)
- Optional Accessories :
High/ Low Bezels, Flanges, Brackets

Single & Split/Dual Color



Specification

Model Name: Standard Lighthouse LL5

Input Voltage: 10~30V

Synchronizable up to 8 lamps

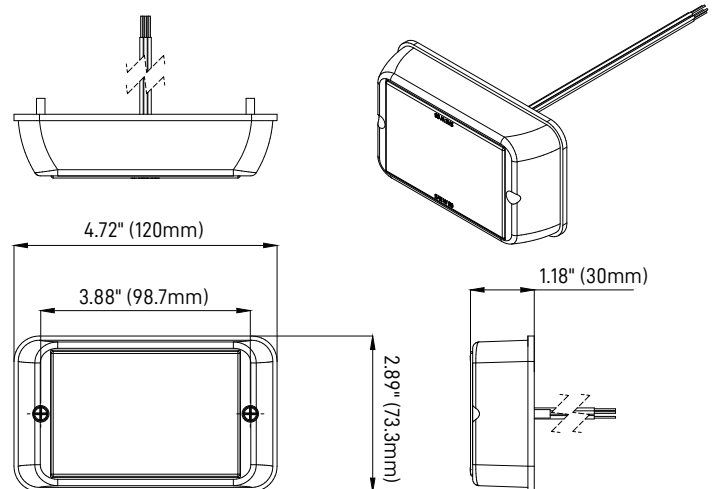
Flash Pattern : Dual 37

Function : Standard / Stop

Ambient Temperature Range: -30~50°C

Dimension:

Size : 4.72" (119.9mm)*2.89" (73.3mm)*1.18" (30mm)



TWL TOP WARNING LIGHT TECHNOLOGY CO., LTD.