



LL4 Series Dual

Standard Lighthouse



Feature

- Compliance: SAE J595, ECE R10
- Ingress Protection Rating: IP67
- High power LED *4, 6, 8, 12
- Come with EVA Gasket *1, Screws *2
- Several optics available
F (Focus), E (Focus+Diffuser), C (Focus+T13 Diffuser)
L (Linear), R (Linear+T13 Diffuser)
- Optional Accessories:
High/ Low Bezels, Flanges, Brackets

Single & Split/Dual Color



Specification

Model Name: Standard Lighthouse LL4 Dual

Input Voltage: 10~30V

Synchronizable up to 8 lamps

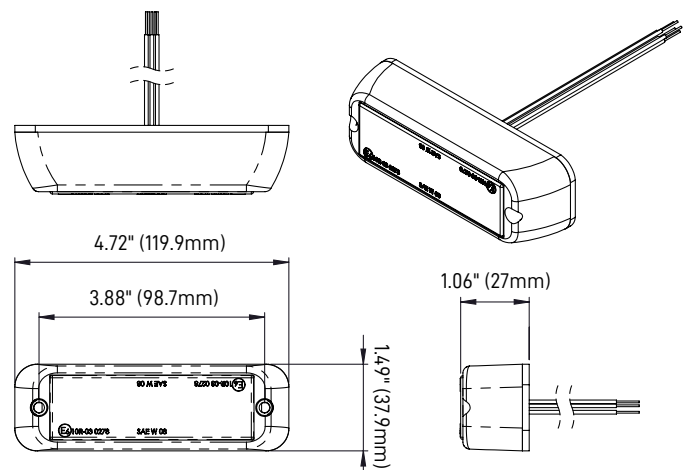
Flash Pattern: Single 25, Dual 37

Function : Standard / Stop

Ambient Temperature Range: -30~50°C

Dimension:

1.06" (27mm)*4.72" (119.9mm)*1.49" (37.9mm)



TWL TOP WARNING LIGHT TECHNOLOGY CO., LTD.