

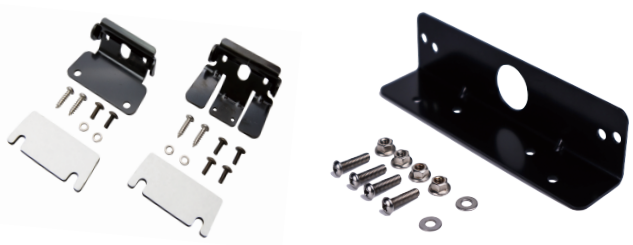


LMC Series

Quad Color

Feature

- Compliance: SAE J595, CA T13, ECE R10, R65 I (XB1 , XA1)
- Ingress Protection Ration: IP67 / IP69
- Quad Color: R / B / A / C
- Aluminium housing and PC Lens cover
- Standard accessories: 1 Foam, 2 Screws
- Mounting Options: Surface mount / Bracket mount (optional)
- Synchronizable up to 8 units

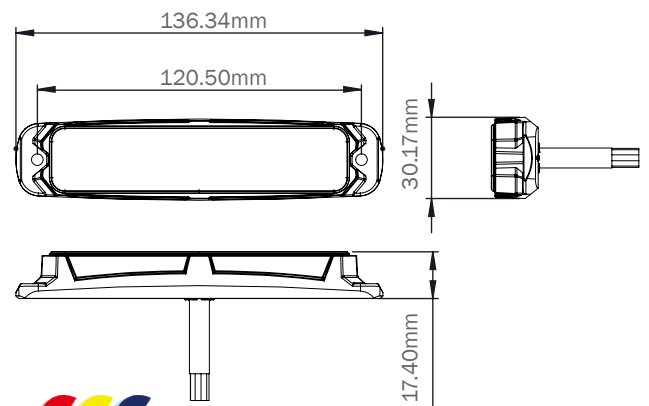


Quad Color



Dimension

5.34" x 1.18" x 0.68" (136.34 x 30.17 x 17.40mm)



Specification

Model Name: LMC series
Input Voltage: 10~30V
Single: High Power LED*6
Dual: High Power LED*12
Input Current: 1.3A max @ DC12V, 1.0A max @ DC24V
Ambient Temperature Range: -30~50°C
Flash Pattern: max 23 patterns varies from color modes, total 7 groups, 15 color modes