



# LM6 series Quad



## Feature

- Compliance: SAE J595, CA T13, ECE R10, R65 I (XB1 , XA1)
- Ingress Protection Rating: IP67 / IP69
- Aluminium housing and PC Lens cover
- Standard accessories: 1 Foam, 2 Screws
- Mounting Options: Surface mount / Bracket mount (optional)

## Quad Color



## Specification

Model Name: Mini Lighthouse LM6 Quad

Input Voltage: 10~30V

Synchronizable up to 8 units

Led High power LED\*24

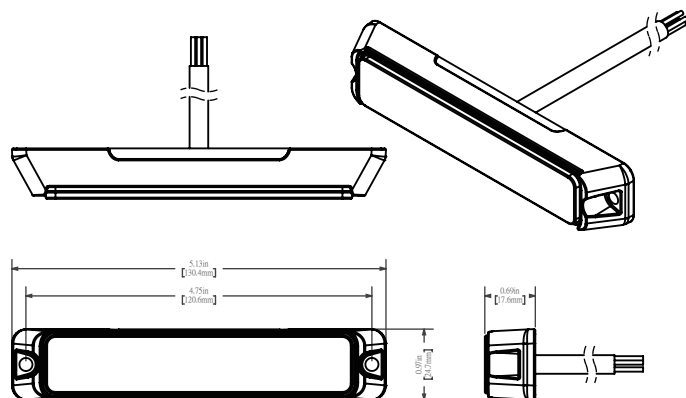
Input Current: 1.3A max@DC12V, 1.0A max@DC24V

Ambient Temperature Range: -30~50°C

Flash Pattern: max 18 patterns varies from color modes, total 7 groups, 15 color modes

## Dimension:

0.69" (17.5mm) W x 5.13"  
(130.4mm) L x 0.97" (24.7mm) H



**TWL** TOP WARNING LIGHT TECHNOLOGY CO., LTD.