



LM4 series



(E11) XA2-001101 (E11) XB2-001099

Feature

- Compliance: SAE J595, ECE R10, R65 (XA2, XB2)
- Ingress Protection Rating: IP67
- Housing: Aluminum, PC
- Optional Accessories: EVA Gasket*1, Screw *2
- Several optics available, F (Focus) , E (Focus + Diffuser) , C (Focus+T13 Diffuser) , L (Linear) , R (Linear+T13 Diffuser)
- Mounting Options: Surface mount / Bracket mount

Single Color



Dual/Split Color



Quad Color



Accessories



License Bracket

Specification

Model Name: Mini Lighthouse LM4 Dual

Input Voltage: 10~30VDC

High power LED*4

Synchronizable to up to 8 lamps

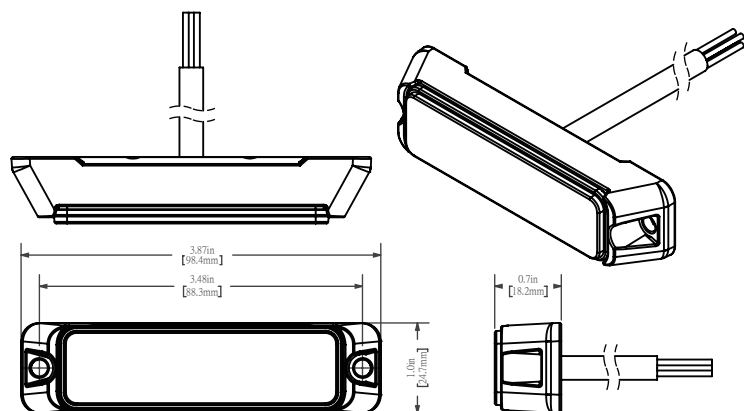
Input Current: 1.0A max@DC12V, 0.6A max@DC24V

Ambient Temperature Range: -30~50°C

Flash Pattern: 30

Dimension:

0.69" (17.5mm)*3.87" (98.2mm)*0.97" (24.7mm)



TWL TOP WARNING LIGHT TECHNOLOGY CO., LTD.