



LM3 series Single



(E11) A1-001101
(E11) B1-001099
(E11) 10R-058912

Feature

- Compliance: SAE J595, ECE R10, R65 I(B, A)
- Ingress Protection Rating: IP67
- Housing: Aluminum
- Accessories: EVA Gasket*1, Screw *2
- Several optics available, F (Focus), E (Focus + Diffuser), C (Focus+T13 Diffuser), L (Linear), R (Linear+T13 Diffuser)
- Mounting Options: Universal Bracket

Single Color



Specification

Model Name: Mini Lighthouse LM3

Input Voltage: 10~30V

High power LED*3

Synchronizable to up to 8 lamps

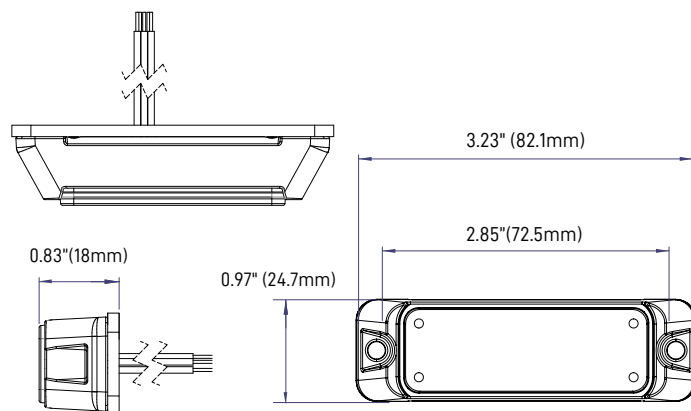
Input Current: 0.6A max@DC12V, 0.35A max@DC24V

Ambient Temperature Range: -30~50°C

Flash Pattern: max 20 patterns

Dimension:

0.69" (17.5mm)*3.23" (82.1mm)*0.97" (24.7mm)



TOP WARNING LIGHT TECHNOLOGY CO., LTD.