



# LN series QUAD

## Super Narrow Light Head



Brackets



Screws & Nuts



### Feature

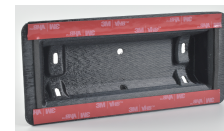
- Compliance: SAE J595, CA T13, ECE R10
- Ingress Protection Rating: IP67/69
- Accessories: 1 Foam, Screws & Brackets
- Mounting Option: Surface mount / Stud mount / Bracket mount

### Quad Color



(optional)

### Accessories



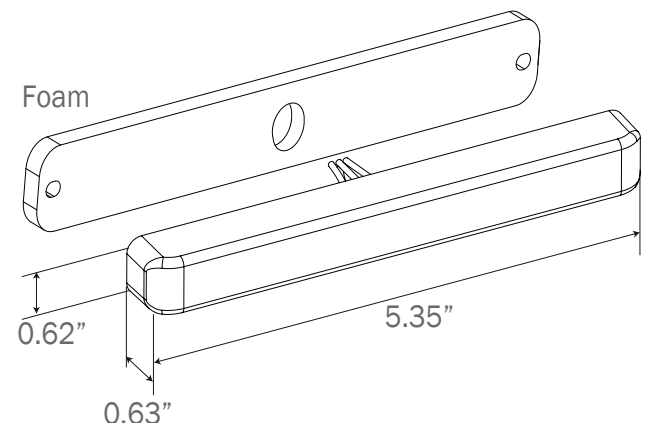
shroud

### Specification

- Model No.: Mini Lighthouse LN6 Quad
- Input Voltage: 10~30VDC
- Led: High Power LED\*16
- Input Current: 0.8A max
- Ambient Temperature Range: -40~70°C
- Flash Pattern: 22

### Size

L5.35\*W0.62\*D0.63inch (136\*15.8\*16mm)



**TWL** TOP WARNING LIGHT TECHNOLOGY CO., LTD.