



# LL3 Series Single

## Standard Lighthead



### Feature

- Compliance: SAE J595, ECE R10
- Ingress Protection Rating: IP67
- High power LED \*3 or 6
- Come with EVA Gasket \*1, Screws \*2
- Several optics available, F (TIR), E (TIR+Diffuser), C (TIR+Ca T13 Diffuser), L (Linear), S (Linear+Diffuser), R (Linear+Ca T13 Diffuser)
- Optional Accessories : High/ Low Bezels, Flanges, Brackets

### Single Color



### Specification

Model Name: Standard Lighthead LL3 Single/Dual

Input Voltage: 10~30V

Synchronizable up to 8 lamps

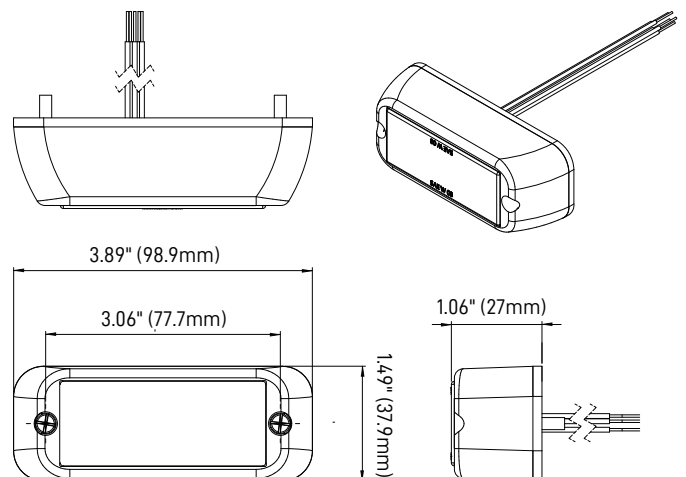
Flash Pattern : Single 15, Dual 37

Function : Standard / Stop

Ambient Temperature Range: -30~50°C

### Dimension:

1.06" (27mm)\*3.89" (98.9mm) \*1.49" (37.9mm)



**TWL** TOP WARNING LIGHT TECHNOLOGY CO., LTD.