



# LL2 Series Single

## Standard Lighthouse



### Feature

- Compliance: SAE J595, ECE R10
- Ingress Protection Rating: IP67
- High power LED \*6 or 12
- Come with EVA Gasket \*1, Screws \*2
- Several optics available, F (TIR), E (TIR+Diffuser), C (TIR+Ca T13 Diffuser) L (Linear), S (Linear+Diffuser), R (Linear+Ca T13 Diffuser)
- Optional Accessories : High/ Low Bezels, Flanges, Brackets

### Single Color



### Specification

Model Name : Standard Lighthouse LL2

Input Voltage: 10~30V

Synchronizable up to 8 lamps

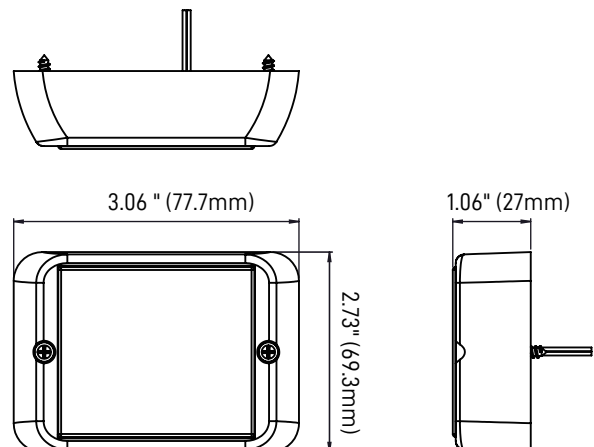
Flash Pattern : 25

Function : Standard / Stop

Ambient Temperature Range: -30~50°C

### Dimension:

2.73" (69.3mm)\*3.06" (77.7mm)\*1.06" (27mm)



**TWL** TOP WARNING LIGHT TECHNOLOGY CO., LTD.