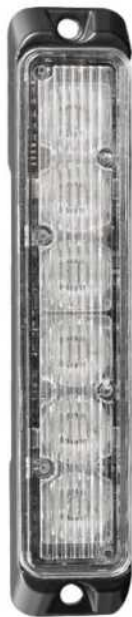




LM6 Vertical

Mini Lighthouse



Feature

- Vertical optics
- Elastic LED color arrangement
- Compliance: SAE J595, ECE R10, R65 (XA2, XB2)
- Ingress Protection Rating: IP67 / IP69K
- Housing: Aluminium
- Accessories: 1 Foam, Screws
- Mounting Options: Universal Bracket
- Lens Cover: PC

Single Color



E6 R65
A1-000098

E6 R65
B1-000097

E6 R10
10R-04 0531

Specification

Model Name: Mini Lighthouse LM6 Vertical

Input Voltage: 10~30V

Synchronizable up to 8 units

High power LED*6

Function: Standard / Stop / DIM

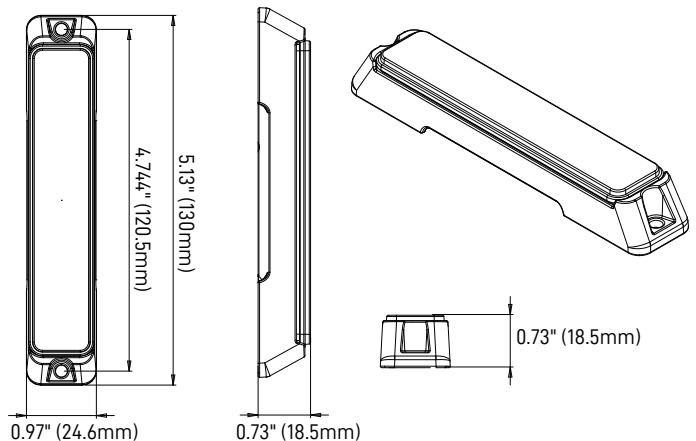
Input Current: 2.0A max@DC12V, 1.2A max@DC24V

Ambient Temperature Range: -30~50°C

Flash Pattern: 13

Dimension:

0.73" (18.5mm)* 5.13" (130mm)* 0.97" (24.7mm)



TWL TOP WARNING LIGHT TECHNOLOGY CO., LTD.