



# LM4 series



(E11) XA2-001101 (E11) XB2-001099

## Feature

- Compliance: SAE J595, ECE R10, R65 (XA2, XB2)
- Ingress Protection Rating: IP67
- Housing: Aluminum, PC
- Optional Accessories: EVA Gasket\*1, Screw \*2
- Several optics available, F (Focus) , E (Focus + Diffuser) , C (Focus+T13 Diffuser) , L (Linear) , R (Linear+T13 Diffuser)
- Mounting Options: Universal Bracket

## Single Color



## Dual/Split Color



## Triple Color



## Accessories



License Bracket

## Specification

Model Name: Mini Lighthouse LM4 Dual

Input Voltage: 10~30VDC

High power LED\*4

Synchronizable to up to 8 lamps

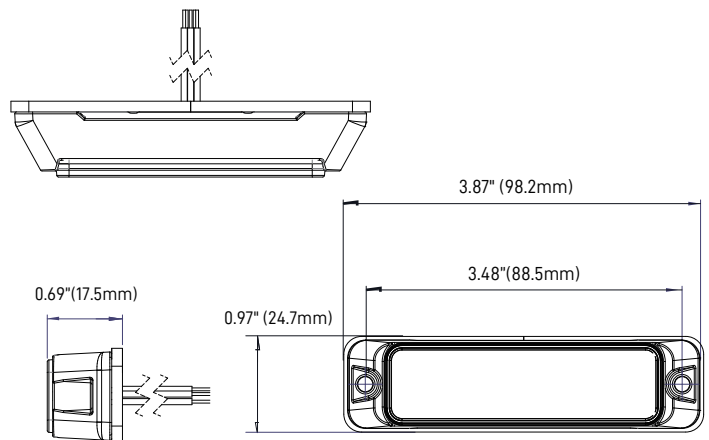
Input Current: 1.0A max@DC12V, 0.6A max@DC24V

Ambient Temperature Range: -30~50°C

Flash Pattern: 30

## Dimension:

0.69" (17.5mm)\*3.87" (98.2mm)\*0.97" (24.7mm)



**TWL** TOP WARNING LIGHT TECHNOLOGY CO., LTD.